

TUBE TYPE SENSOR PSEUDO - ABSOLUTE

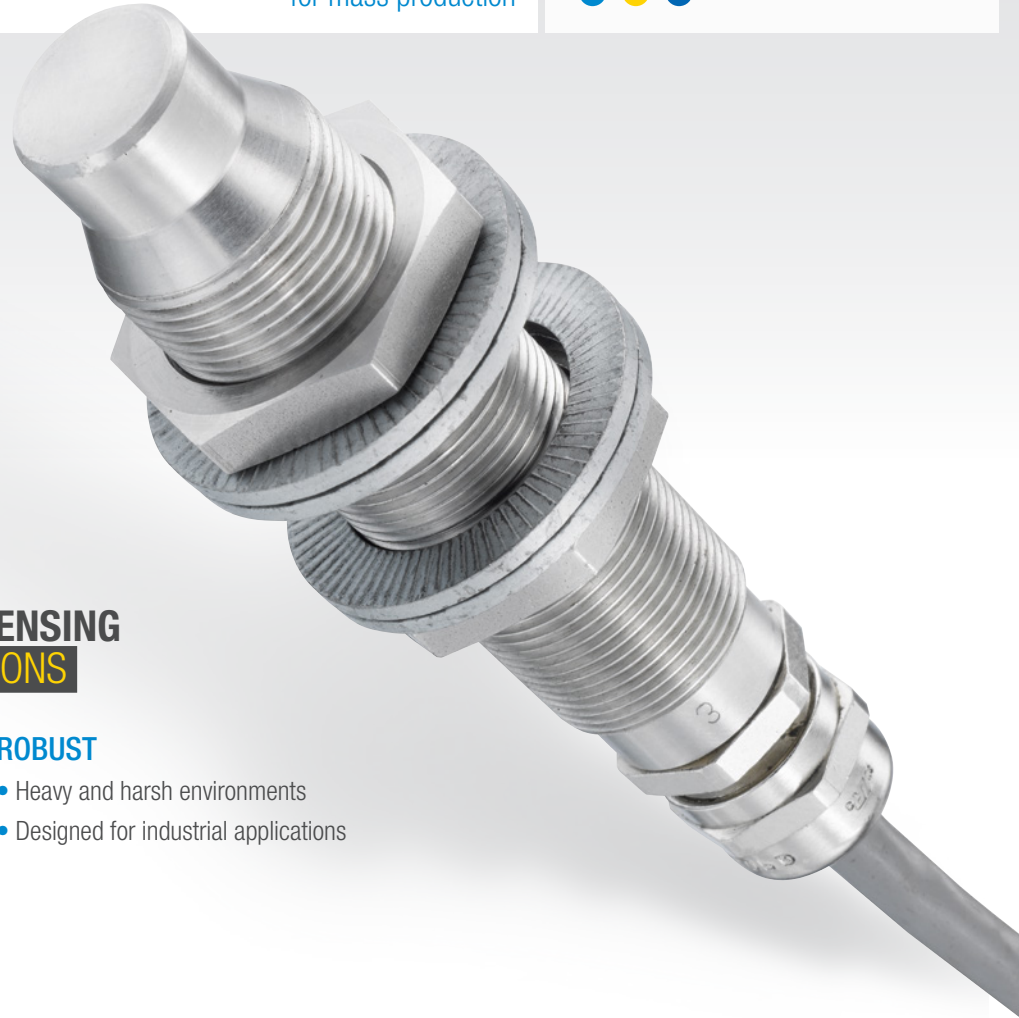


www.ntn-snr.com



With You

for mass production



GET SPEED & POSITION SENSING FOR INDUSTRIAL APPLICATIONS

CUSTOM RESOLUTION

- Incremental or Pseudo-Absolute
- Polar adaptation and interpolation

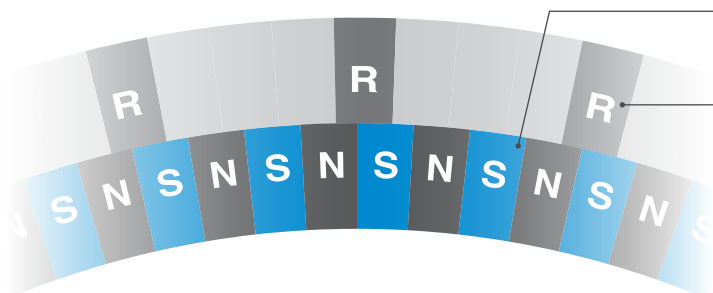
ROBUST

- Heavy and harsh environments
- Designed for industrial applications

COMPACT & MODULAR

- Easy integration
- Easy maintenance

PSEUDO-ABSOLUTE HOW DOES IT WORK?



Dual track reading:

Incremental magnetic track



Reference pulse track



Additional information

Application:

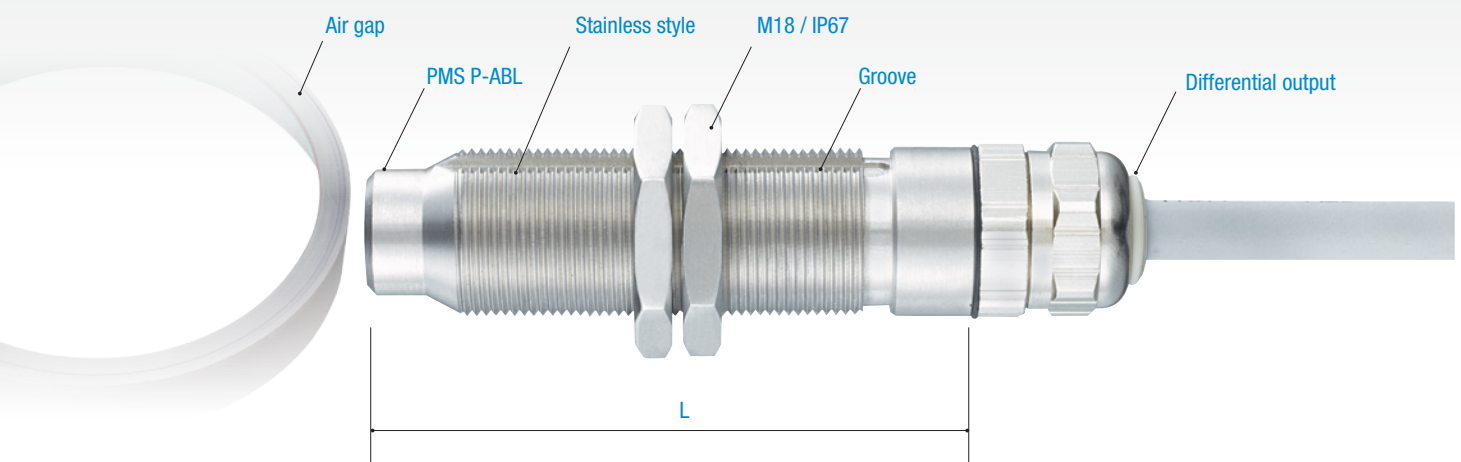
- End position
- Motor control
- Referenced absolute positioning



CONFIGURATION

TTS	TYPE	POLE LENGTH	INTERPOLATION FACTOR
	INC P-ABL	5, 1.13 to 5.92 mm	x1, x2, x4, x5, x8, x10, x16, x20, x32, x40

5 : Standard option (other options on request)



SPECIFICATION

PERFORMANCES

- Power supply: 5V +/- 0,5V
- Frequency: 5kHz max
- Signal output: A and B quadrature outputs, push-pull

ENVIRONMENT

- Operating temperature: -35°C to 105°C
- Vibration 20G IEC68-2
- Shocks 500G
- DIN EN837
- Ingress Protection : IP67

ELECTRICAL PROTECTION

- Reverse polarity
- Protected against short circuit for supply and outputs

This document is the exclusive property of NTN-SNR ROULEMENTS. Any total or partial reproduction hereof without the prior consent of NTN-SNR ROULEMENTS is strictly prohibited. Legal action may be brought against anyone breaching the terms of this paragraph.

NTN-SNR ROULEMENTS shall not be held liable for any errors or omissions that may have crept into this document despite the care taken in drafting it. Due to our policy of continuous research and development, we reserve the right to make changes without notice to all or part of the products and specifications mentioned in this document.

© NTN-SNR ROULEMENTS, international copyright 2017.

NTN-SNR ROULEMENTS - 1 rue des usines - 74000 Annecy
RCS ANNECY B 325 821 072 - Code APE 2815Z - Code NACE 28.15
www.ntn-snr.com

Contact us:

mechatronics.industry@ntn-snr.fr



With You

