

TUBE TYPE SENSOR INCREMENTAL



www.ntn-snr.com



With You

FOR MASS PRODUCTION

The perfect innovation for a better production



MEASURE SPEED IN TOUGH EMBEDDED APPLICATIONS

HIGH RESOLUTION

- Smooth control
- Even at low speed

ROBUST

- Heavy and harsh environments
- Designed for mobile machinery

COMPACT & MODULAR

- Easy integration
- Easy maintenance

INTERPOLATION HOW DOES IT WORK?



Analog interpolation
gives you better resolution (up to x200)



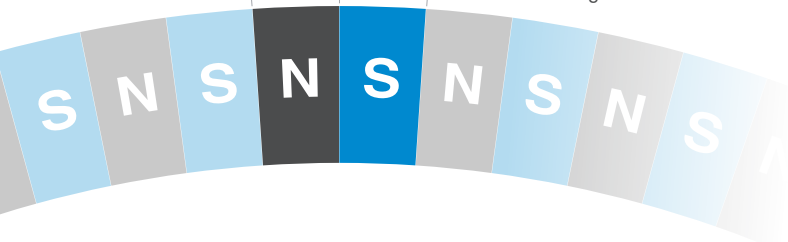
Without interpolation
Basic signal

High resolution:

Sensor resolution = $f \times$ Magnetic resolution

Interpolation factor options:

f: x8, x12, x24, x32, x40, x48...
up to x200

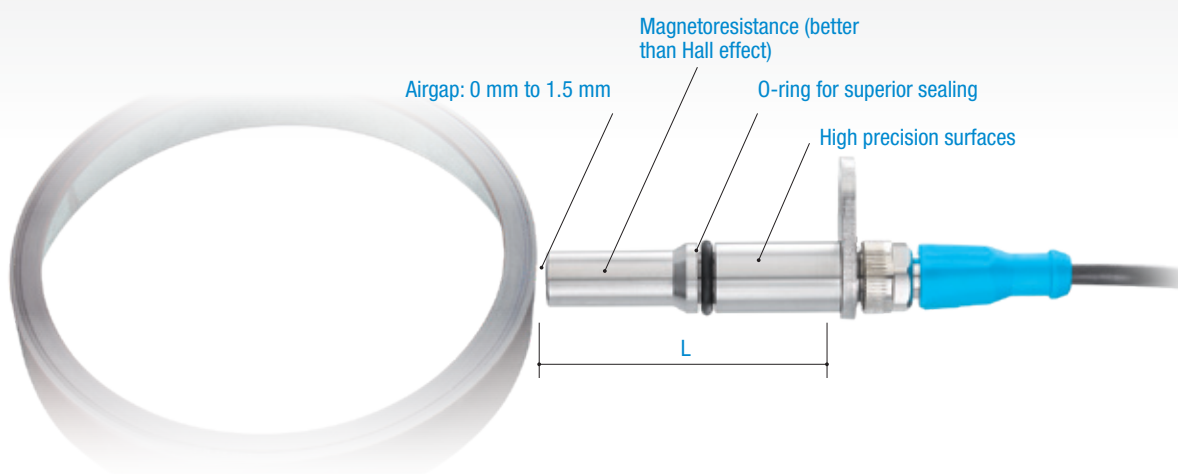




CONFIGURATION

TTS	TYPE	POLE LENGTH	INTERPOLATION FACTOR	LENGTH	FIXATION	OUTPUT
	INC	1, 2.5, 5	x2, x4, x6, x8, x10, x12, x16, x20, x24, x32, x40, x48, x50, x64, x96, x100, x192, x200	44, 52, 62	Groove, Lug	M12 (IP67), Deutsch connector (IP6K9K), Shielded Cable

 : Standard option (other options on request)



SPECIFICATION

ENVIRONMENT

- Operating temperature: -40°C to 105°C
- Nominal hydraulic pressure: 100 bar
- Vibration: 0.1 g²/Hz [10 Hz to 1000 Hz] 8 hrs / axis (IEC60068-2-64: category 1 for wheel vehicle)
- Ingress protection: IP6K9K

PERFORMANCES

- Magnetic ring : 10 mm magnetic period (5 mm pole length ; other upon request)
- Frequency: 50kHz max
- Power supply : 8V to 32V
- Signal output: 2 push-pull square wave signals

ELECTRICAL PROTECTION

- High instantaneous overvoltage
- Reverse polarity
- Protected against short circuits to Vbat and ground

ELECTROMAGNETIC COMPATIBILITIES

- Radiated emission: Class B 100 V/m [20 MHz to 2 GHz] (ISO11452-2, ISO11452-3)
- Electrostatic Discharges : Class A ±8kV contact, ±15 kV air (housing, pin) (ISO10605)
- Agricultural and forestry machinery : ISO14982:1998
- Construction machinery : EN13309:2000
- Industrial trucks : EN12895:2000

This document is the exclusive property of NTN-SNR ROULEMENTS. Any total or partial reproduction hereof without the prior consent of NTN-SNR ROULEMENTS is strictly prohibited. Legal action may be brought against anyone breaching the terms of this paragraph.

NTN-SNR ROULEMENTS shall not be held liable for any errors or omissions that may have crept into this document despite the care taken in drafting it. Due to our policy of continuous research and development, we reserve the right to make changes without notice to all or part of the products and specifications mentioned in this document.

© NTN-SNR ROULEMENTS, international copyright 2018.

Contact us:

mechatronics.industry@ntn-snr.fr