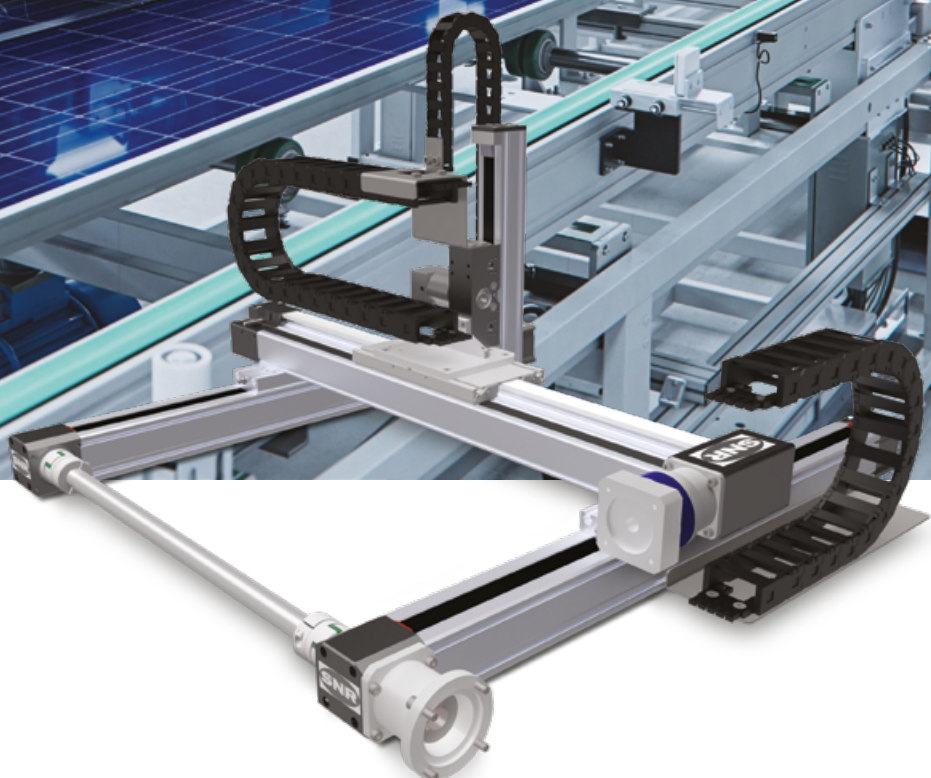




Brand of NTN Group

LINEAR MOTION: LINEAR AXIS AXE



A RANGE OFFERING TO FULFILL ALL THE REQUIREMENTS OF OUR CUSTOMERS

SNR has been established in the linear technology market since 1985 and strives to offer a complete and competitive product range. SNR Linear Axis are developed, manufactured and tested under practical conditions in our plant in Bielefeld. With a well organized network of sales engineers and sales agents worldwide we can offer you dedicated and competent technical support at any time.

EFFICIENT TYPE LINEAR AXIS

SNR Linear Axis of the AXE series are **universally applicable** modules that accommodate the steadily growing requirements for the automation and of the installation and manufacturing processes. They are suitable for the most diverse applications in various industries such as factory automation, the automotive industry, printing machines and special-purpose machines. The AXE series is based on the **modular principle** and depending on the task, offers different drive systems, diverse equipment and combination options with the **shortest possible lead time**.

EFFICIENT TYPE LINEAR AXIS

AXE Series

Benefits

- Short delivery time
- Simple price policy
- Top performance
- Premium quality
- Smart product selection

Characteristics

- Standardized products
- Can be combined as 2 and 3 Axis systems
- 1 or 2 parallel Linear guides as guiding system
- Long term maintenance-free, using SNR – Linear guides with ball chain technology
- Tooth belt and tooth belt/ Ω - drive as drive system
- Various accessories

AXE-Z

Efficient type Linear Axis with tooth belt drive

- Size 60, 80, 100, 110, 160
- Optimised highly rigid aluminum profiles



AXE-A

Efficient type Linear Axis with tooth belt/ Ω - Drive

- Size 40, 60
- Reduced moving net mass, therefore ideal for applications as a lifting axis



MULTI AXIS SYSTEMS

AXE axis systems

Characteristics

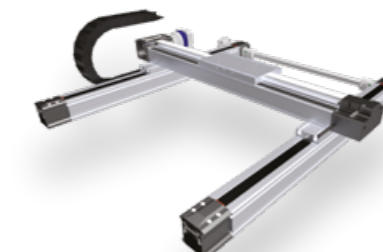
- Standard combinations for 2 and 3 Axis systems
- Easy product selection and quickly configurable
- Wide range of accessories for connecting elements, gearboxes, drive adapters and switches



3 AXIS - SYSTEM (X, Y, Z)



2 AXIS - SYSTEM (X, Y)



2 AXIS - SYSTEM (Y, Z)



NTN

Make the world **NAMERAKA**

DOC_L_AXE_AFG1_CBa - Non contractuel document - NTN copyright international - 04/24 - Photos: NTN Europe - Pedro Studio Photos

LINEAR MOTION Product range

Further information and 3D design:
www.ntn-europe.com
Please send your requests to:
linear@ntn-snr.de

NTN Europe - 1 rue des Usines - 74000 Annecy
RCS ANNECY B 325 821 072 - Code APE 2815Z - Code NACE 28.15
www.ntn-europe.com

This document is the exclusive property of NTN Europe. Any total or partial reproduction hereof without the prior consent of NTN Europe is strictly prohibited. Legal action may be brought against anyone breaching the terms of this paragraph.
NTN Europe shall not be held liable for any errors or omissions that may have crept into this document despite the care taken in drafting it. Due to our policy of continuous research and development, we reserve the right to make changes without notice to all or part of the products and specifications mentioned in this document.
© NTN Europe, international copyright 2024.

NTN

SNR

BCA
BEARINGS

BOWER

Brands of
NTN Group