



LINEAR MOTION RANGE

Further information

- On our Website: www.ntn-snr.com
- 3D drawings on: www.cad.ntn-snr.info
- In our catalogues



Please send your requests to:

linear.motion@ntn-snr.de



Present all over the world

This document is the exclusive property of NTN-SNR ROULEMENTS. Any total or partial reproduction hereof without the prior consent of NTN-SNR ROULEMENTS is strictly prohibited. Legal action may be brought against anyone breaching the terms of this paragraph.
NTN-SNR ROULEMENTS shall not be held liable for any errors or omissions that may have crept into this document despite the care taken in drafting it. Due to our policy of continuous research and development, we reserve the right to make changes without notice to all or part of the products and specifications mentioned in this document.
© NTN-SNR ROULEMENTS, international copyright 2016

NTN-SNR ROULEMENTS - 1 rue des usines - 74000 Annecy
RCS ANNECY B 325 821 072 - Code APE 2815Z - Code NACE 28.15
www.ntn-snr.com



DOC_LLVRANGE_ARGZ.GBa - SAP : 374 776 - Conception et réalisation : Service publicaté NTN-SNR © 2016 / 07 - Photos: © Pedro Studio Photos - Shutterstock



LINEAR MOTION RANGE

The suitable solution for all requests



www.ntn-snr.com



With You

A LARGE LINEAR MOTION RANGE

to meet every application requirements

COMPACT AXIS



AXC SERIES

Size 40, 60, 80, 100, 120

Modular design, system universally applicable as single-axis and in complex multiple-axis systems

- Different guiding and drive options
- Belt drive in Omega design
- Long-life and long-term maintenance free



AXF SERIES

Size 100

Based on the AXC series.

- Available with tooth belt and screw drive
- Specially developed to prevent the deposit of residues at the profile.
- Specifically optimized for food, pharmaceutical and semiconductor industries applications

PRECISION AXIS



AXBG SERIES

Size 15, 20, 26, 33, 46, 55

- Extremely compact design and very rigid steel profile
- High positioning accuracy

PARALLEL AXIS



AXDL SERIES

Size: 110, 160, 240

- Profile with high rigidity (especially with synchronous belt drive)
- Protection against contamination for guide and drive system
- Long-life and long-term maintenance free

LINEAR TABLES AXIS

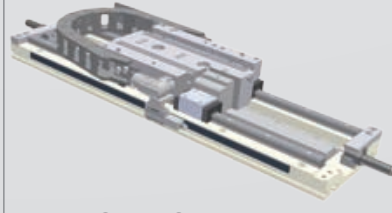


AXLT SERIES

Size: 155, 225, 325, 455

- Particularly suitable for high loads, especially torque loads
- Protected guidance and drive system by optional bellows
- Can be combined to cross table variations

LINEAR MOTOR AXIS



AXLM SERIES

Size: 155, 225, 325

- High dynamics and high accuracy
- Guidance: two parallel assembled linear guides
- Particularly suitable for high loads, especially torque loads

SYSTEM AXIS



GANTRY, LIFTING AND TELESCOPIC AXIS

Telescopic axis

- For vertical and horizontal applications
- Suitable for use in confined installation space
- Velocity up to 10 m/s

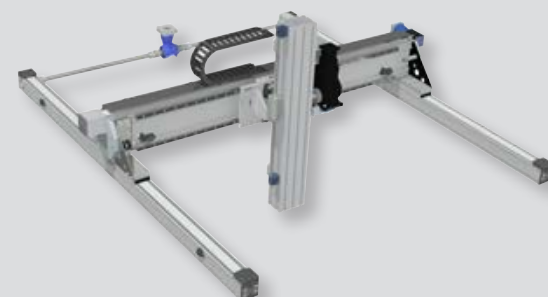
Lifting axis

- For loads over 1000 kg

Gantry axis

- Undivided length up to 10 m
- Tooth belt or rack and pinion drive

COMPLETE SYSTEMS



BALL SCREWS



Diameter 6 to 80 mm for rolled and 4 to 120 mm for grinded ball screws

- Right and left hand helix
- Customized end machining
- Fixed and floating bearing units

BALL SCREW SUPPORT



BSTK - BSTF

Shaft diameter 17 - 60 mm

- High load rating for vertical applications
- Easy assembling
- High service life time
- High rigidity

BK - BF - EK - EF

Shaft diameter 06 - 50 mm

- Asian range of bearing units
- well known dimension

BALL BUSHINGS



Diameter 3 to 150 mm

- Standard linear ball bushings and super linear ball bushings
- Standard material and stainless steel available
- Linear Sets
- Support rails, shaft supports, traverses, solid and hollow shafts

BALL SPLINES



Diameters for

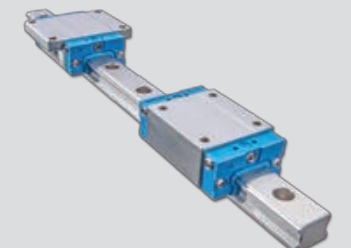
Cylindrical nuts 04 - 100 mm

Flange type nuts 06 - 60 mm

Rotary type nuts 06 - 60 mm

- High linear and rotation velocity
- High load rating
- Torque and force transmission by simultaneous rotation and linear movements
- Customized machining

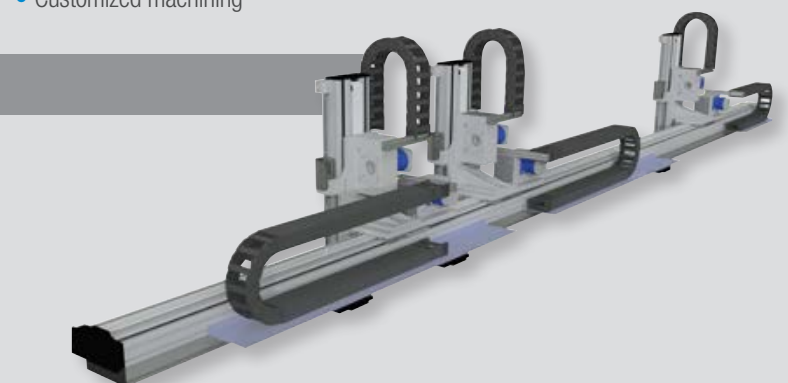
LINEAR GUIDES



Standard series in size 15 - 55
Miniature series in size 07 - 15

Conventional version and version with patented ball chain technology

- Dimension according to DIN 645
- High load ratings
- Long-term maintenance-free for carriages with ball chain
- Jointed rails with universal combined segments
- Standard series with 4 ball rows and arrangement of a race ways at a 45° angle
- Standard carriages with lubrication connection from all sides



Lifting axis with safety brakes and clamping elements