

PUSH/PULLER 8/12 TONS

A **THREE-IN-ONE** TOOL TO EASILY AND SAFELY FIT OR REMOVE BEARINGS AND SLEEVES USING EITHER THEIR OUTER OR INNER EDGES.

PUSH / PULLER Your benefits

- **Time saving:** three-in-one design reduces preparation, tool-reset time and duration of operation.
 - **Service life:** the built-in safety valve ensures the tool is always operated according to the rated pressure.
 - **Safe:** the built-in safety valve prevents the user from hurting himself and any damage to the tools or environment.
- No risks of jaw sliding off during inner pulling operation due to the self-centering design.



Pushing



Inner pulling



Outer pulling



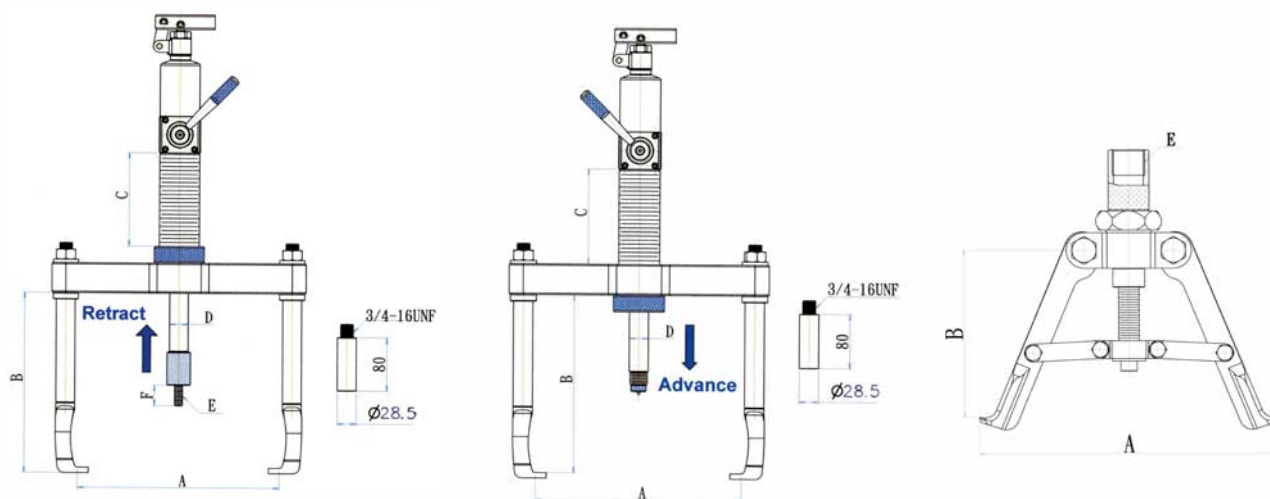
Applications

ideal for fitting and removing a wide variety of press-fit parts, including bushings, wheels, bearings, gears and pulleys.



Technical information

- A double-acting pump body to provide pushing and pulling force.
- Extension bars can be used where necessary for extra reach.



| Product | Operations | Output t | A mm | B mm | C mm | D mm | E | F mm | Weight kg |
|----------------------------------|---------------|----------|---------|---------|------|------|-----------|------|-----------|
| TOOL PUSH/PULLER 8/12 TONS | Pushing | 8 | 44-280 | 270 | 140 | 28 | M12-P1.75 | 30 | 19.5 |
| | Outer pulling | 12 | 85-300 | 260 | 140 | 28 | - | - | |
| | Inner pulling | 8 | 110-210 | 130-150 | - | - | 1" -12UNF | - | |

More information on our range www.ntn-snr.com/services

Distributed by: