



KB659.26/KB659.27

Assembly recommendations

CITROËN: Jumper (I, II, III), Relay (II, III)	OE reference
FIAT: Ducato (I, II)	1610531680
PEUGEOT: Boxer (I, II, III)	5031-78
	9405031789

KIT NTN-SNR KB659.26



KIT NTN-SNR KB659.27



COMMON PROBLEMS

PREMATURE FAILURE OF THE STOP

Probable cause

Improper installation of the kit.

Failure is linked to some kind of pollution being introduced; it is important to change all the parts and especially to follow the reassembly instructions correctly.

This failure is a result of an inverse assembly of the two stops and two joints (see assembly process).



ADVICE

- Observe the direction of the stop: dark side of the stop to the filter block side.
- Observe the direction of the seal: sealing lip on the filter block side.
- Careful not to deform the joints during assembly and do not overly lubricate the two sets.

KIT FITTING INSTRUCTIONS



Observe the direction of the stop: metallic side not visible



Correct assembly of the stop



Mounting the seal on the stop

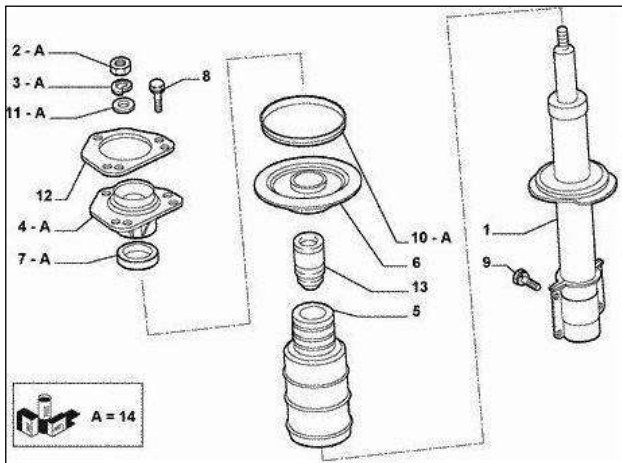
Observe the direction of the seal: sealing lip on the filter block side



Fitting the filter block in the holder



Appearance of the final assembly



Assembly layout of the parts

Recommendations

Follow the manufacturers' assembly procedures as well as the tightening torques indicated by the manufacturer.

Consult vehicle applications in our online catalogue: <http://lc.cx/catalog-ra>



Use this QR Code to find our online catalogue

ALWAYS FOLLOW THE VEHICLE MANUFACTURER'S RECOMMENDATIONS!

©NTN-SNR ROULEMENTS

The contents of this document are the copyright of the publisher and any reproduction, even partial, is prohibited without permission. Despite the care taken in preparing this document, NTN-SNR Roulements disclaims any liability for errors or omissions that may slip through, and for losses or direct or indirect damages arising from its use.

