

# POLIPUMP

YOUR OWN CENTRALISED LUBRICATION SYSTEM IN  
JUST A FEW QUICK STEPS



## The choice for PROFITABILITY

Good lubrication is crucial to extend the life of your bearings. This why the POLIPUMP has been designed especially to increase the reliability of your machine by providing the right amount of grease at the right time. With a very fast return on investment, this new multipoint lubrication system will increase the availability of your equipment and will reduce your maintenance costs at the same time.

## Your POWERFUL and ECONOMICAL solution

With the POLIPUMP, you will be able to lubricate from 1 to 35 points simultaneously and automatically under the control of the built in electronic timer. With its high pressure capability, (80 bar) the POLIPUMP can dispense the grease to several points up to a distance of 20 meters. Precise and reliable, the POLIPUMP is your best tool to increase your productivity.

## EASY set up and ECOLOGICAL

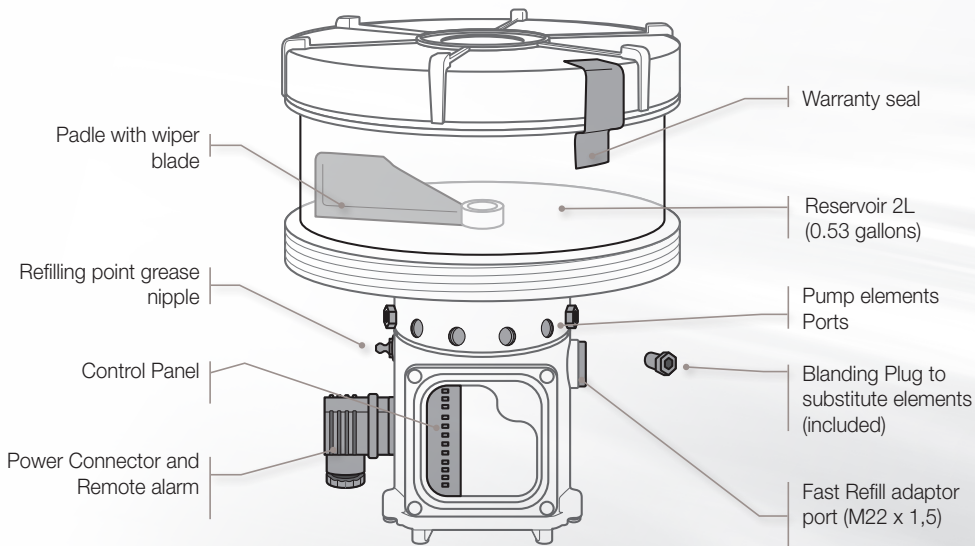
The POLIPUMP can be used straight from the box after a few basic steps. No need for special engineering skills, you can easily install your multipoint centralised system by yourself. No special maintenance is required and you can refill your pump very easily with our filling kit that can be used with the grease of your choice. No need for special cartridges with dedicated greases.

## SET UP YOUR OWN MULTIPOINT LUBRICATION SYSTEM IN 4 BASIC STEPS

- 1 How many points do need to lubricate?** determine the type of pumping elements required and connect to the pump
- 2 Connect the pump** to the power supply
- 3 Fill the reservoir** using our filling tool kit and the grease of choice
- 4 Set up the timer according to your lubricant needs** and the pump is ready to start



## TECHNICAL INFORMATION



Also available, our range of high quality lubricants dedicated for use with bearings and fully compatible with the POLIPUMP.



### 3 PUMP MODELS

- 1-12 pumping elements
- 1-24 pumping elements
- 1-35 pumping elements
- 12VDC or 24VDC
- 6 different pumping elements
- 0,02CC – 0,03 CC – 0,04CC – 0,08 CC – 0,10 CC – 0,13 CC
- 12 timer settings
- 2 liter reservoir
- Grade of grease to be used: NLGI 00 to NLGI 2
- Working temperature: -10°C to +60 °C
- Protection class: IP 65
- Maximum pressure: 80 bar

### A range of accessories is also available:

- 2 hoses (with or without grease)
- 6 connectors
- Cartridge filling kit

