



**SNR Stainless Steel
Ball Bearing Units**

Industry





General

More than 35 years of experience

SNR has been a leading manufacturer of housed bearings for more than 35 years and thus has a large pool of experience in a very diverse range of applications in many industrial areas.

In this catalog you will find the SNR standard range for stainless steel ball bearing units.

Housings and bearing inserts for these units are manufactured from stainless steel.

The bearing inserts are grooved ball bearings with spherical outer rings that can compensate for alignment errors and deformation of the shafts to a certain extent.

Fastening to the shaft is by means of set-screws or eccentric locking collar.

The bearings are equipped with a high-performance seal and lubricated with grease suitable for use in the food industry (USDA H1 standard).

SNR stainless steel ball bearing units are primarily intended for use in areas where moisture or aggressive media seriously degrade the service life of conventional ball bearing units made of cast iron and bearing inserts made of chrome steel.

SNR stainless steel ball bearing units are, e.g., particularly suitable for machines in the food, pharmaceutical, and chemical industries. However they also represent an ideal solution where frequent cleaning with water or chemical agents is necessary or the bearings are used outdoors.

Contents

General

- > Applications/part number designations
- > Technical specifications - materials
- > Technical data

2>7

2

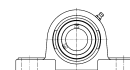
3

4-7

Dimension tables

- > Pillow blocks units

SUCP200/SESP200



8> 21

8-9

- > Tapped base pillow block units

SUCPA200/SESPA200



10-11

- > Four-bolt flanged units

SUCF200/SESF200



12-13

- > Two-bolt flanged units

SUCFL200/SESFL200



14-15

- > Take-up units

SUCT200/SEST200



16-19

- > Bearing inserts
with set screws

SUC200



20

- > Bearing inserts with
eccentric locking collar

SES200



21

Range

- > SNR ball bearing units range

22



Applications



Ball bearing units made of stainless steel are used in areas where corrosion resistance is a must.

In these areas where high atmospheric humidity or the requirement for periodic washdown of the equipment is necessary to prevent bacteria growth, conventional ball bearing units made of cast iron cannot adequately perform.



To address these special applications, SNR offers a comprehensive standard range of ball bearing units made of stainless steel.

Furthermore, to satisfy the requirements of the pharmaceutical and food industries all SNR ball bearing units made of stainless steel lubricated with grease meeting the USDA H1 food-grade specification.



Part number designation

Example:

SUCP205CO

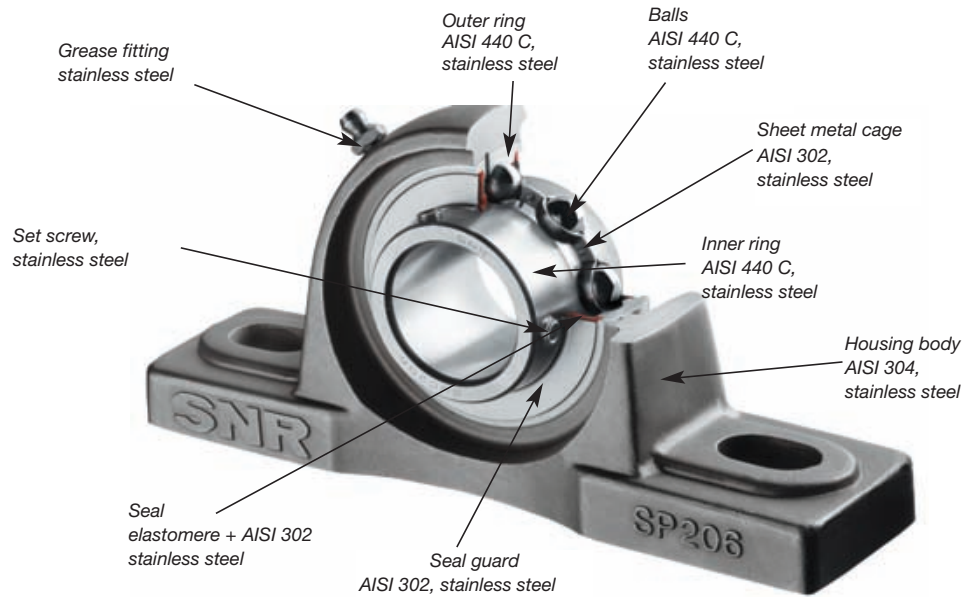
Bearing insert SUC205-16 (1 inch)

Pillow block housing SP205

Size d = 1 inch

CO = open cap made of stainless steel with double-lip seal for through shafts (d = 1 inch)
 CC = for closed end caps

Technical specification - materials



Protective end caps made of stainless steel, SCC and SCO models

- Open protective end cap for through shafts with double-lip seal made of flourine elastomere
- Closed protective end cap for shaft ends
- Stainless steel AISI 304
- Shaft diameter $\frac{3}{4}$ - $2 \frac{7}{16}$ inch / 12 - 60 mm
- Standard sizes available from stock

Lubricant for food industry applications

• Technical characteristics

Mobil FM 102 with USDA-H1 approval

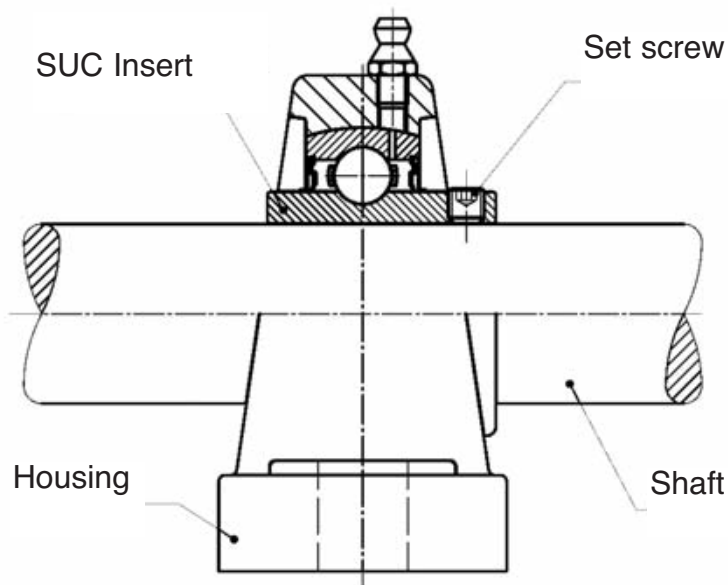
Temperature range:	-4°F to +248°F
Drop point:	420°F
Worked penetration:	265-295 (at 77°C; 1/10 mm) NLGI class 2



Technical data

Tightening torques for set screws in bearing inserts

Insert	Set screw max.	tightening torque [in-lbf]
SUC 201 -206	M6 x 1	75
SUC 207 -208	M8 x 1	177
SUC 209 -212	M10 x 1.25	354



| Speed limits for bearing inserts

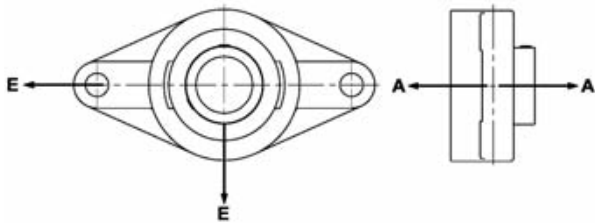
Bearing	Shaft code diameter [inch]	Bearing	Shaft code diameter [mm]	Speed limit [rpm] for shaft tolerance			
				j7	h7	h8	h9
		SUC 201	12	6,000	4,800	3,400	1,200
		SUC 202	15	6,000	4,800	3,400	1,200
		SUC 203	17	6,000	4,800	3,400	1,200
SUC 204-12	3/4	SUC 204	20	6,000	4,800	3,400	1,200
SUC 205-16	1	SUC 205	25	5,600	4,000	3,000	1,000
SUC 206-19	1 3/16	SUC 206	30	4,500	3,400	2,400	850
SUC 206-20	1 1/4	SUC 206		4,500	3,400	2,400	850
SUC 207-20	1 1/4	SUC 207	35	4,000	3,000	2,000	750
SUC 207-22	1 3/8	SUC 207		4,000	3,000	2,000	750
SUC 207-23	1 7/16	SUC 207		4,000	3,000	2,000	750
SUC 208-24	1 1/2	SUC 208	40	3,600	2,600	1,900	670
SUC 209-28	1 3/4	SUC 209		3,200	2,400	1,700	600
SUC 210-31	1 15/16	SUC 210	50	3,000	2,200	1,600	560
SUC 211-32	2	SUC 211	55	2,400	1,800	1,300	450
SUC 211-35	2 3/16	SUC 211		2,400	1,800	1,300	450
SUC 212-39	2 7/16	SUC 212	60	1,900	1,600	1,000	400

Bearing	Shaft code diameter [inch]	Bearing	Shaft code diameter [mm]	Speed limit [rpm] for shaft tolerance			
				j7	h7	h8	h9
		SES 201	12	6,700	5,300	3,800	1,400
		SES 202	15	6,700	5,300	3,800	1,400
		SES 203	17	6,700	5,300	3,800	1,400
SES 204-12	3/4	SES 204	20	6,000	4,800	3,400	1,200
SES 205-16	1	SES 205	25	5,600	4,000	3,000	1,000
SES 206-19	1 3/16	SES 206	30	4,500	3,400	2,400	850
SES 206-20	1 1/4			4,500	3,400	2,400	850
SES 207-20	1 1/4	SES 207	35	4,000	3,000	2,000	750
SES 207-22	1 3/8			4,000	3,000	2,000	750
SES 207-23	1 7/16			4,000	3,000	2,000	750
SES 208-24	1 1/2	SES 208	40	3,600	2,600	1,900	670
SES 209-28	1 3/4	SES 209	45	3,200	2,400	1,700	600
SES 210-31	1 15/16	SES 210	50	3,000	2,200	1,600	560
SES 211-32	2	SES 211	55	2,400	1,800	1,300	450
SES 211-35	2 3/16			2,400	1,800	1,300	450
SES 212-39	2 7/16	SES 212	60	1,900	1,600	1,000	400

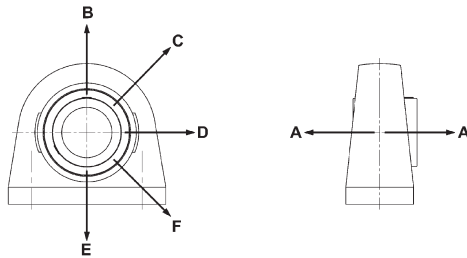


Technical data

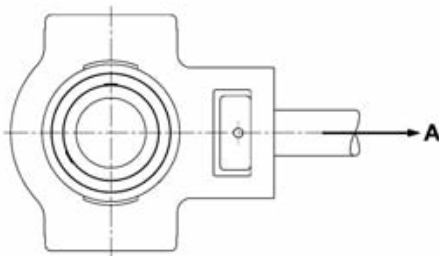
Housing load carrying capacity



Housing code	Stat. load carrying capacity[lbf]					
	Load direction					
	A	B	C	D	E	F
SFL203	4,500	-	-	-	9,000	-
SFL204	5,400	-	-	-	10,790	-
SFL205	7,200	-	-	-	17,090	-
SFL206	9,000	-	-	-	17,090	-
SFL207	10,340	-	-	-	17,990	-
SFL208	12,140	-	-	-	18,440	-
SFL209	14,390	-	-	-	26,980	-
SFL210	17,540	-	-	-	27,880	-

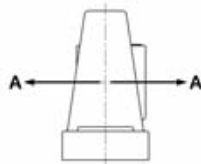
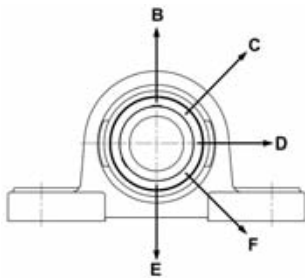


Housing code	Stat. load carrying capacity[lbf]					
	Load direction					
	A	B	C	D	E	F
SPA203	4,270	11,240	8,990	20,230	26,980	26,980
SPA204	7,640	14,840	11,240	24,730	35,970	35,970
SPA205	8,100	16,640	12,590	26,980	40,470	40,470
SPA206	9,900	22,480	15,740	40,470	53,960	53,960
SPA207	10,800	26,980	19,780	44,960	71,940	71,940
SPA208	11,240	29,230	20,230	49,460	80,940	80,940
SPA209	11,690	31,480	22,030	53,960	85,430	85,430
SPA210	14,390	33,720	24,730	62,950	85,430	85,430

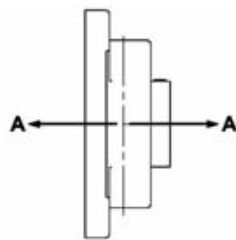
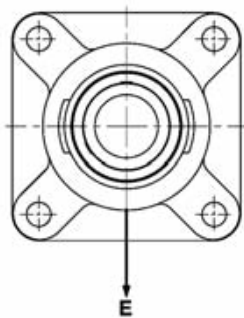


Housing code	Stat. load carrying capacity[lbf]					
	Load direction					
	A	B	C	D	E	F
ST203	11,240	-	-	-	-	-
ST204	14,840	-	-	-	-	-
ST205	16,640	-	-	-	-	-
ST206	22,480	-	-	-	-	-
ST207	26,980	-	-	-	-	-
ST208	29,230	-	-	-	-	-
ST209	31,480	-	-	-	-	-
ST210	33,720	-	-	-	-	-

Housing load carrying capacity



Housing code	Stat. load carrying capacity[lbf]					
	Load direction					
	A	B	C	D	E	F
SP203	4,270	11,240	8,990	20,230	26,980	26,980
SP204	7,640	14,840	11,240	24,730	35,970	35,970
SP205	8,100	16,640	12,590	26,980	40,470	40,470
SP206	9,890	22,480	15,740	40,870	53,960	53,960
SP207	10,790	26,980	19,780	44,960	71,940	71,940
SP208	11,240	29,230	20,230	49,460	80,940	80,940
SP209	11,690	31,480	22,030	53,960	85,430	85,430
SP210	14,390	33,720	24,730	62,950	85,430	85,430
SP211	17,990	42,940	58,900	78,690	106,790	106,790
SP212	22,260	53,060	72,800	97,350	131,970	131,970



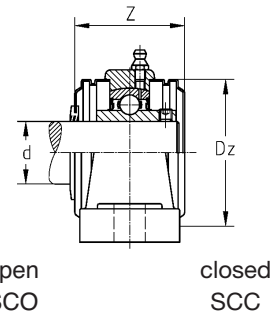
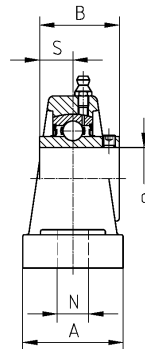
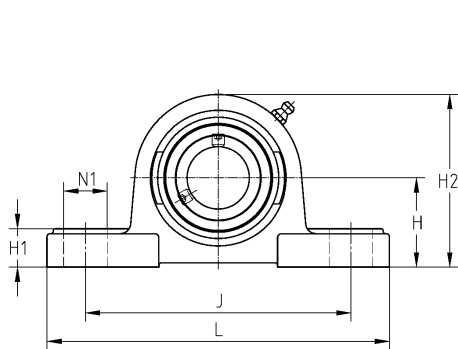
Housing code	Stat. load carrying capacity[lbf]					
	Load direction					
	A	B	C	D	E	F
SF203	6,750	-	-	-	15,740	-
SF204	8,100	-	-	-	19,340	-
SF205	11,241	-	-	-	29,230	-
SF206	13,490	-	-	-	29,230	-
SF207	15,740	-	-	-	29,230	-
SF208	17,540	-	-	-	31,450	-
SF209	20,230	-	-	-	44,960	-
SF210	22,480	-	-	-	44,960	-
SF211	28,100	-	-	-	57,330	-
SF211	34,850	-	-	-	70,820	-



Pillow block units

Housing
Bearing insert

SP200 with grease fitting
SUC 200 with set screws



SUCP200

with protective cap

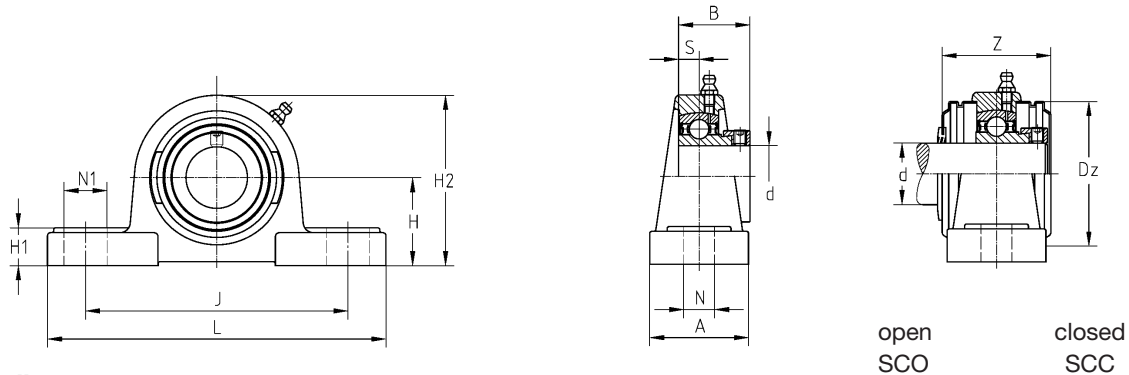
Shaft diameter

metric	inch
12 - 60 mm	3/4 - 2 7/16

Shaft diameter		Unit code	Dimensions [mm]											Insert	Housing	lbs	
d [mm]	d [inch]		L	J	B	H	H1	H2	S	A	N	N1	Z max.				Dz
12		SUCP201	126	95	31	33.3	15	65	12.7	38	13	19	45.6	54	SUC201	SP204	1.83
15		SUCP202	126	95	31	33.3	15	65	12.7	38	13	19	45.6	54	SUC202	SP204	1.76
17		SUCP203	126	95	31	33.3	15	65	12.7	38	13	19	45.6	54	SUC203	SP204	1.85
20		SUCP204	126	95	31	33.3	15	65	12.7	38	13	19	45.6	54	SUC204	SP204	1.81
	3/4	SUCP204-12	126	95	31	33.3	15	65	12.7	38	13	19	45.6	54	SUC204-12	SP204	1.81
25		SUCP205	140	105	34.1	36.5	16	70	14.3	38	13	19	47.8	60	SUC205	SP205	2.09
	1	SUCP205-16	140	105	34.1	36.5	16	70	14.3	38	13	19	47.8	60	SUC205-16	SP205	2.09
30		SUCP206	165	121	38.1	42.9	18	83	15.9	48	17	21	52.8	70	SUC206	SP206	3.48
	1 3/16	SUCP206-19	165	121	38.1	42.9	18	83	15.9	48	17	21	52.8	70	SUC206-19	SP206	3.48
	1 1/4	SUCP206-20	165	121	38.1	42.9	18	83	15.9	48	17	21	52.8	70	SUC206-20	SP206	3.48
35		SUCP207	167	127	42.9	47.6	19	94	17.5	48	17	21	57.4	80	SUC207	SP207	4.30
	1 3/8	SUCP207-22	167	127	42.9	47.6	19	94	17.5	48	17	21	57.4	80	SUC207-22	SP207	4.30
	1 7/16	SUCP207-23	167	127	42.9	47.6	19	94	17.5	48	17	21	57.4	80	SUC207-23	SP207	4.30
40		SUCP208	184	136	49.2	49.2	19	100	19	54	17	23	66.8	88	SUC208	SP208	5.27
	1 1/2	SUCP208-24	184	136	49.2	49.2	19	100	19	54	17	23	66.8	88	SUC208-24	SP208	5.27
45		SUCP209	190	146	49.2	54	20	109	19	54	17	23	67.8	95	SUC209	SP209	6.00
	1 3/4	SUCP209-28	190	146	49.2	54	20	109	19	54	17	23	67.8	95	SUC209-28	SP209	6.00
50		SUCP210	206	159	51.6	57.2	22	114	19	60	20	25	75.6	100	SUC210	SP210	7.23
	1 15/16	SUCP210-31	206	159	51.6	57.2	22	114	19	60	20	25	75.6	100	SUC210-31	SP210	7.23
	2	SUCP211-32	219	171	55.6	63.5	23	126	22.2	60	20	25	75.2	110	SUC211-32	SP211	9.08
55		SUCP211	219	171	55.6	63.5	23	126	22.2	60	20	25	75.2	110	SUC211	SP211	9.08
	2 3/16	SUCP211-35	219	171	55.6	63.5	23	126	22.2	60	20	25	75.2	110	SUC211-35	SP211	9.08
60		SUCP212	241	184	65.1	69.8	25	138	25.4	70	20	25	87.8	120	SUC212	SP212	12.6
	2 7/16	SUCP212-39	241	184	65.1	69.8	25	138	25.4	70	20	25	87.8	120	SUC212-39	SP212	12.6

**Housing
Bearing insert**

**SP200 with grease fitting
SES 200 with eccentric locking collar**



Shaft diameter

metric	inch
12 - 60 mm	3/4 - 2

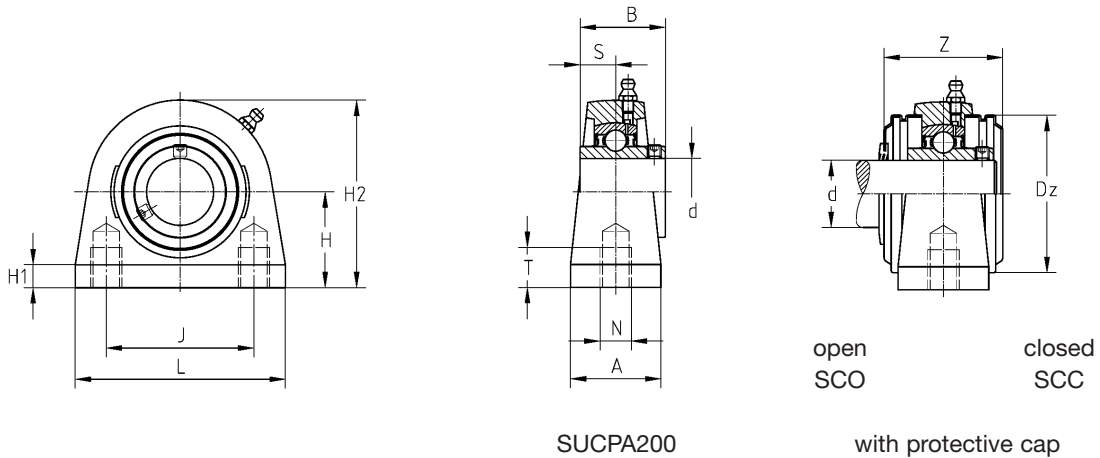
SESP200

Shaft diameter		Unit code	Dimensions [mm]												with protective cap		lbs
d [mm]	d [inch]		L	J	B	H	H1	H2	S	A	N	N1	Z _{max.}	Dz	Insert	Housing	
12		SESP201	126	95	28.6	30.2	15	63	6	38	13	19	45.6	46	SES201	SP203	1.76
15		SESP202	126	95	28.6	30.2	15	63	6	38	13	19	45.6	46	SES202	SP203	1.74
17		SESP203	126	95	28.6	30.2	15	63	6	38	13	19	45.6	46	SES203	SP203	1.70
20		SESP204	126	95	31	33.3	15	65	7	38	13	19	45.6	54	SES204	SP204	1.83
	3/4	SESP204-12	126	95	31	33.3	15	65	7	38	13	19	45.6	54	SES204-12	SP204	1.83
25		SESP205	140	105	31	36.5	16	70	7.5	38	13	19	47.8	60	SES205	SP205	2.07
	1	SESP205-16	140	105	31	36.5	16	70	7.5	38	13	19	47.8	60	SES205-16	SP205	2.07
30		SESP206	165	121	35.7	42.9	18	83	8	48	17	21	52.8	70	SES206	SP206	3.46
	1 3/16	SESP206-19	165	121	35.7	42.9	18	83	8	48	17	21	52.8	70	SES206-19	SP206	3.46
	1 1/4	SESP206-20	165	121	35.7	42.9	18	83	8	48	17	21	52.8	70	SES206-20	SP206	3.46
35		SESP207	167	127	38.9	47.6	19	94	8.5	48	17	21	57.4	80	SES207	SP207	4.37
	1 3/8	SESP207-22	167	127	38.9	47.6	19	94	8.5	48	17	21	57.4	80	SES207-22	SP207	4.37
	1 7/16	SESP207-23	167	127	38.9	47.6	19	94	8.5	48	17	21	57.4	80	SES207-23	SP207	4.37
40		SESP208	184	136	43.7	49.2	19	100	9	54	17	23	66.8	88	SES208	SP208	5.29
	1 1/2	SESP208-24	184	136	43.7	49.2	19	100	9	54	17	23	66.8	88	SES208-24	SP208	5.29
45		SESP209	190	146	43.7	54	20	109	9.5	54	17	23	67.8	95	SES209	SP209	5.93
	1 3/4	SESP209-28	190	146	43.7	54	20	109	9.5	54	17	23	67.8	95	SES209-28	SP209	5.93
50		SESP210	206	159	43.7	57.2	22	114	10	60	20	25	75.6	100	SES210	SP210	7.19
	1 15/16	SESP210-31	206	159	43.7	57.2	22	114	10	60	20	25	75.6	100	SES210-31	SP210	7.19
	2	SESP211-32	219	171	48.4	63.5	23	126	10.5	60	20	25	75.2	110	SES211-32	SP211	9.00
55		SESP211	219	171	48.4	63.5	23	126	10.5	60	20	25	75.2	110	SES211	SP211	9.00
60		SESP212	241	184	53.1	69.8	25	138	11	70	20	25	87.8	120	SES212	SP212	12.3

Tapped base pillow block units

Housing
Bearing insert

SPA 200 with grease fitting
SUC 200 with set screws



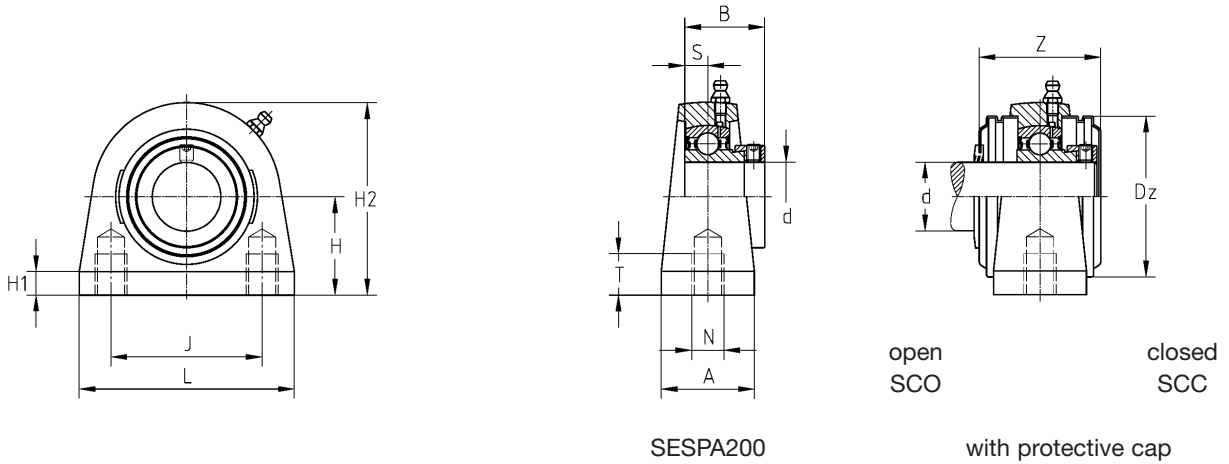
Shaft diameter

metric	inch
12 - 50 mm	3/4 - 1 15/16

Shaft diameter		Unit code	Dimensions [mm]													Insert	Housing	lbs
d [mm]	d [inch]		L	J	B	H	H1	H2	S	A	N	T	Z _{max}	Dz				
12		SUCPA201	73	50.8	31	33.3	11	65	12.7	38	M8	13	45.6	54	SUC201	SPA204	1.61	
15		SUCPA202	73	50.8	31	33.3	11	65	12.7	38	M8	13	45.6	54	SUC202	SPA204	1.57	
17		SUCPA203	73	50.8	31	33.3	11	65	12.7	38	M8	13	45.6	54	SUC203	SPA204	1.54	
20		SUCPA204	73	50.8	31	33.3	11	65	12.7	38	M8	13	45.6	54	SUC204	SPA204	1.50	
	3/4	SUCPA204-12	73	50.8	31	33.3	11	65	12.7	38	M8	13	45.6	54	SUC204-12	SPA204	1.50	
25		SUCPA205	76	50.8	34.1	36.5	11	71	14.3	38	M10	13	47.8	60	SUC205	SPA205	1.72	
	1	SUCPA205-16	76	50.8	34.1	36.5	11	71	14.3	38	M10	13	47.8	60	SUC205-16	SPA205	1.72	
30		SUCPA206	102	76.2	38.1	42.9	12	86	15.9	38	M10	16	52.8	70	SUC206	SPA206	2.87	
	1 3/16	SUCPA206-19	102	76.2	38.1	42.9	12	86	15.9	38	M10	16	52.8	70	SUC206-19	SPA206	2.87	
	1 1/4	SUCPA206-20	102	76.2	38.1	42.9	12	86	15.9	38	M10	16	52.8	70	SUC206-20	SPA206	2.87	
35		SUCPA207	108	82.6	42.9	47.6	12	95	17.5	48	M10	19	57.4	80	SUC207	SPA207	3.79	
	1 3/8	SUCPA207-22	108	82.6	42.9	47.6	12	95	17.5	48	M10	19	57.4	80	SUC207-22	SPA207	3.79	
	1 7/16	SUCPA207-23	108	82.6	42.9	47.6	12	95	17.5	48	M10	19	57.4	80	SUC207-23	SPA207	3.79	
40		SUCPA208	117	89	49.2	49.2	13	100	19	48	M12	19	66.8	88	SUC208	SPA208	4.21	
	1 1/2	SUCPA208-24	117	89	49.2	49.2	13	100	19	48	M12	19	66.8	88	SUC208-24	SPA208	4.21	
45		SUCPA209	127	95.3	49.2	54	13	108	19	51	M12	19	67.8	95	SUC209	SPA209	5.14	
	1 3/4	SUCPA209-28	127	95.3	49.2	54	13	108	19	51	M12	19	67.8	95	SUC209-28	SPA209	5.14	
50		SUCPA210	140	101.6	51.6	57.2	13	117	19	51	M16	19	75.6	100	SUC210	SPA210	6.24	
	1 15/16	SUCPA210-31	140	101.6	51.6	57.2	13	117	19	51	M16	19	75.6	100	SUC210-31	SPA210	6.24	

**Housing
Bearing insert**

**SPA 200 with grease fitting
SES 200 with eccentric locking collar**



Shaft diameter

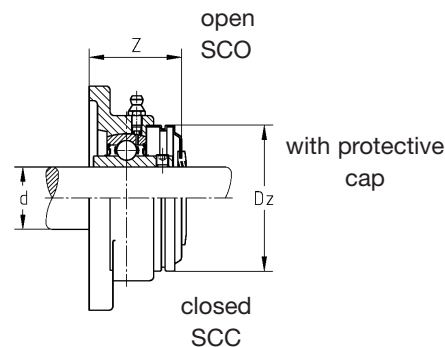
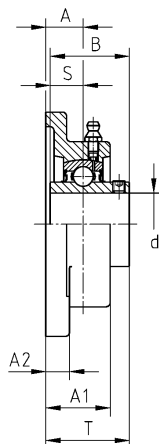
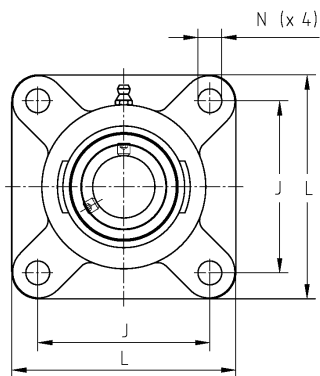
metric	inch
12 - 50 mm	3/4 - 1 15/16

Shaft diameter		Unit code	Dimensions [mm]											Insert	Housing	lbs	
d [mm]	d [inch]		L	J	B	H	H1	H2	S	A	N	T	Z _{max}	Dz			
12		SESPA201	73	50.8	28.6	30.2	11	62	6	38	M8	13	45.6	54	SES201	SPA204	1.43
15		SESPA202	73	50.8	28.6	30.2	11	62	6	38	M8	13	45.6	54	SES202	SPA204	1.41
17		SESPA203	73	50.8	28.6	30.2	11	62	6	38	M8	13	45.6	54	SES203	SPA204	1.39
20		SESPA204	73	50.8	31	33.3	11	65	7	38	M8	13	45.6	54	SES204	SPA204	1.52
	3/4	SESPA204-12	73	50.8	31	33.3	11	65	7	38	M8	13	45.6	54	SES204-12	SPA204	1.52
25		SESPA205	76	50.8	31	36.5	11	71	7.5	38	M10	13	47.8	60	SES205	SPA205	1.72
	1	SESPA205-16	76	50.8	31	36.5	11	71	7.5	38	M10	13	47.8	60	SES205-16	SPA205	1.72
30		SESPA206	102	76.2	35.7	42.9	12	86	8	38	M10	16	52.8	70	SES206	SPA206	2.86
	1 3/16	SESPA206-19	102	76.2	35.7	42.9	12	86	8	38	M10	16	52.8	70	SES206-19	SPA206	2.87
	1 1/4	SESPA206-20	102	76.2	35.7	42.9	12	86	8	38	M10	16	52.8	70	SES206-20	SPA206	2.87
35		SESPA207	108	82.6	38.9	47.6	12	95	8.5	48	M10	19	57.4	80	SES207	SPA207	3.86
	1 3/8	SESPA207-22	108	82.6	38.9	47.6	12	95	8.5	48	M10	19	57.4	80	SES207-22	SPA207	3.86
	1 7/16	SESPA207-23	108	82.6	38.9	47.6	12	95	8.5	48	M10	19	57.4	80	SES207-23	SPA207	3.86
40		SESPA208	117	89	43.7	49.2	13	100	9	48	M12	19	66.8	88	SES208	SPA208	4.23
	1 1/2	SESPA208-24	117	89	43.7	49.2	13	100	9	48	M12	19	66.8	88	SES208-24	SPA208	4.23
45		SESPA209	127	95.3	43.7	54	13	108	9.5	51	M12	19	67.8	95	SES209	SPA209	5.07
	1 3/4	SESPA209-28	127	95.3	43.7	54	13	108	9.5	51	M12	19	67.8	95	SES209-28	SPA209	5.07
50		SESPA210	140	101.6	43.7	57.2	13	117	10	51	M16	19	75.6	100	SES210	SPA210	6.20
	1 15/16	SESPA210-31	140	101.6	43.7	57.2	13	117	10	51	M16	19	75.6	100	SES210-31	SPA210	6.20

Four-bolt flanged units

Four-bolt flanged housing
Bearing insert

SF 200 with grease fitting
SUC 200 with set screws



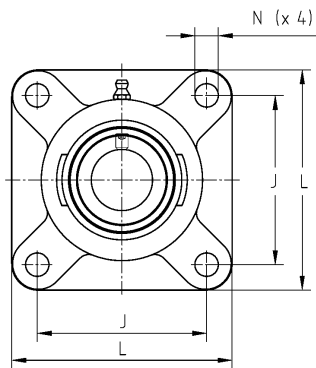
Shaft diameter

metric	inch
12 - 60 mm	3/4 - 2 7/16

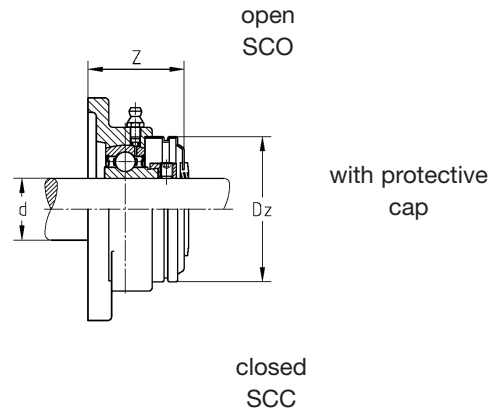
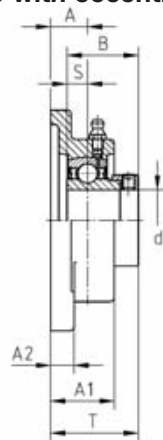
SUCF200

Shaft diameter		Unit code	Dimensions [mm]											Insert	Housing	lbs
d [mm]	d [inch]		L	J	B	A	A1	A2	S	T	N	Z _{max}	Dz			
12		SUCF201	86	64	31	15	25.5	12	12.7	33.3	12	37.8	54	SUC201	SF204	1.46
15		SUCF202	86	64	31	15	25.5	12	12.7	33.3	12	37.8	54	SUC202	SF204	1.41
17		SUCF203	86	64	31	15	25.5	12	12.7	33.3	12	37.8	54	SUC203	SF204	1.39
20		SUCF204	86	64	31	15	25.5	12	12.7	33.3	12	37.8	54	SUC204	SF204	1.35
	3/4	SUCF204-12	86	64	31	15	25.5	12	12.7	33.3	12	37.8	54	SUC204-12	SF204	1.35
25		SUCF205	95	70	34.1	16	27	14	14.3	35.8	12	39.9	60	SUC205	SF205	1.81
	1	SUCF205-16	95	70	34.1	16	27	14	14.3	35.8	12	39.9	60	SUC205-16	SF205	1.81
30		SUCF206	108	83	38.1	18	30.5	14	15.9	40.2	12	44.4	70	SUC206	SF206	2.49
	1 3/16	SUCF206-19	108	83	38.1	18	30.5	14	15.9	40.2	12	44.4	70	SUC206-19	SF206	2.49
	1 1/4	SUCF206-20	108	83	38.1	18	30.5	14	15.9	40.2	12	44.4	70	SUC206-20	SF206	2.49
35		SUCF207	116	92	42.9	19	33.5	14,5	17.5	44.4	14	48.2	80	SUC207	SF207	3.11
	1 3/8	SUCF207-22	116	92	42.9	19	33.5	14,5	17.5	44.4	14	48.2	80	SUC207-22	SF207	3.11
	1 7/16	SUCF207-23	116	92	42.9	19	33,5	14,5	17.5	44.4	14	48.2	80	SUC207-23	SF207	3.11
40		SUCF208	130	102	49.2	21	36	14,5	19	51.2	16	54.4	88	SUC208	SF208	4.17
	1 1/2	SUCF208-24	130	102	49.2	21	36	14,5	19	51.2	16	54.4	88	SUC208-24	SF208	4.17
45		SUCF209	137	105	49.2	22	38	15,5	19	52.2	16	55.9	95	SUC209	SF209	5.12
	1 3/4	SUCF209-28	137	105	49.2	22	38	15,5	19	52.2	16	55.9	95	SUC209-28	SF209	5.12
50		SUCF210	143	111	51.6	22	40	15	19	54.6	16	59.8	100	SUC210	SF210	5.84
	1 15/16	SUCF210-31	143	111	51.6	22	40	15	19	54.6	16	59.8	100	SUC210-31	SF210	5.84
	2	SUCF211-32	162	130	55.6	25	44	20	22.2	58.4	19	62.6	110	SUC211-32	SF211	8.95
55		SUCF211	162	130	55.6	25	44	20	22.2	58.4	19	62.6	110	SUC211	SF211	8.95
	2 3/16	SUCF211-35	162	130	55.6	25	44	20	22.2	58.4	19	62.6	110	SUC211-35	SF211	8.95
60		SUCF212	175	143	65.1	29	48	20	25.4	68.7	19	72.9	120	SUC212	SF212	12.1
	2 7/16	SUCF212-39	175	143	65.1	29	48	20	25.4	68.7	19	72.9	120	SUC212-39	SF212	12.1

**Four-bolt flanged housing
Bearing insert**



**SF 200 with grease fitting
SES 200 with eccentric locking collar**



SESF200

Shaft diameter

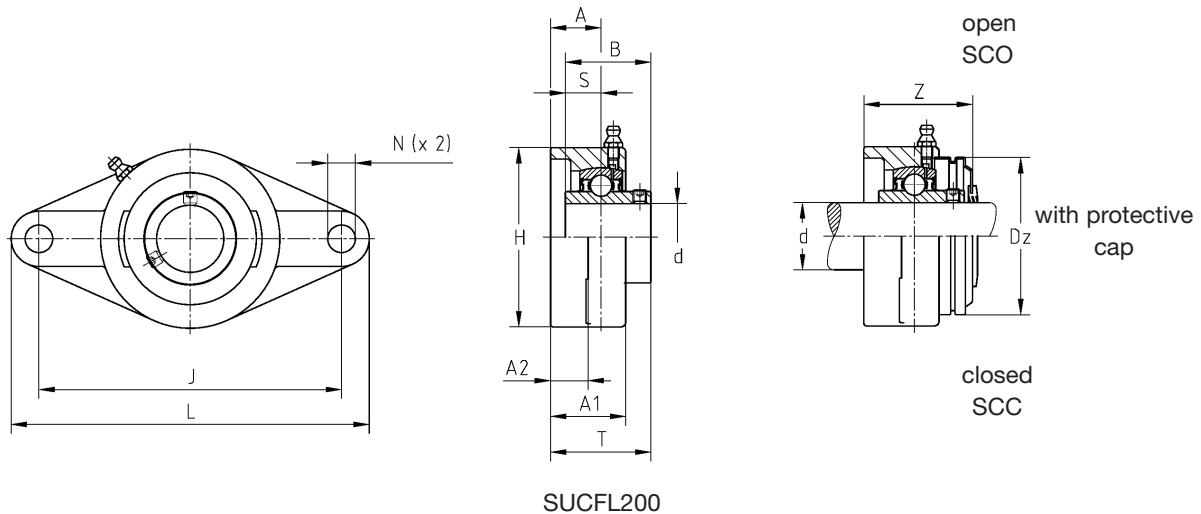
metric	inch
12 - 60 mm	3/4 - 2

Shaft diameter		Unit code	Dimensions [mm]											Insert	Housing	lbs
d [mm]	d [inch]		L	J	B	A	A1	A2	S	T	N	Z _{max}	Dz			
12		SESF201	86	64	28.6	15	25.5	12	6	37.6	12	37.8	46	SES201	SF204	1.30
15		SESF202	86	64	28.6	15	25.5	12	6	37.6	12	37.8	46	SES202	SF204	1.26
17		SESF203	86	64	28.6	15	25.5	12	6	37.6	12	37.8	46	SES203	SF204	1.23
20		SESF204	86	64	31	15	25.5	12	7	39	12	37.8	54	SES204	SF204	1.37
	3/4	SESF204-12	86	64	31	15	25.5	12	7	39	12	37.8	54	SES204-12	SF204	1.37
25		SESF205	95	70	31	16	27	14	7.5	39.5	12	39.9	60	SES205	SF205	1.81
	1	SESF205-16	95	70	31	16	27	14	7.5	39.5	12	39.9	60	SES205-16	SF205	1.81
30		SESF206	108	83	35.7	18	30.5	14	8	45.7	12	44.4	70	SES206	SF206	2.49
	1 3/16	SESF206-19	108	83	35.7	18	30.5	14	8	45.7	12	44.4	70	SES206-19	SF206	2.49
	1 1/4	SESF206-20	108	83	35.7	18	30.5	14	8	45.7	12	44.4	70	SES206-20	SF206	2.49
35		SESF207	116	92	38.9	19	33.5	14.5	8.5	49.4	14	48.2	80	SES207	SF207	3.18
	1 3/8	SESF207-22	116	92	38.9	19	33.5	14.5	8.5	49.4	14	48.2	80	SES207-22	SF207	3.18
	1 7/16	SESF207-23	116	92	38.9	19	33.5	14.5	8.5	49.4	14	48.2	80	SES207-23	SF207	3.18
40		SESF208	130	102	43.7	21	36	14.5	9	55.7	16	54.4	88	SES208	SF208	4.19
	1 1/2	SESF208-24	130	102	43.7	21	36	14.5	9	55.7	16	54.4	88	SES208-24	SF208	4.19
45		SESF209	137	105	43.7	22	38	15.5	9.5	56.2	16	55.9	95	SES209	SF209	5.05
	1 3/4	SESF209-28	137	105	43.7	22	38	15.5	9.5	56.2	16	55.9	95	SES209-28	SF209	5.05
50		SESF210	143	111	43.7	22	40	15	10	55.7	16	59.8	100	SES210	SF210	5.78
	1 15/16	SESF210-31	143	111	43.7	22	40	15	10	55.7	16	59.8	100	SES210-31	SF210	5.78
	2	SESF211-32	162	130	48.4	25	44	20	10.5	62.9	19	62.6	110	SES211-32	SF211	8.89
55		SESF211	162	130	48.4	25	44	20	10.5	62.9	19	62.6	110	SES211	SF211	8.89
60		SESF212	175	143	53.1	29	48	20	11	71.1	19	72.9	120	SES212	SF212	11.8

Two-bolt flanged units

Two-bolt flanged housing
Bearing insert

SFL 200 with grease fitting
SUC 200 with set screws



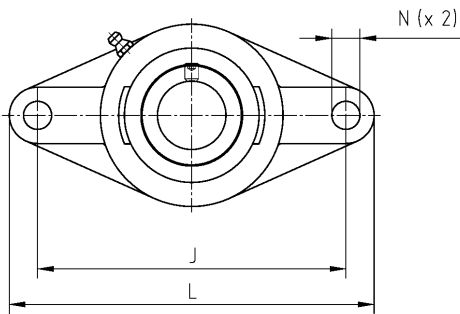
SUCFL200

Shaft diameter

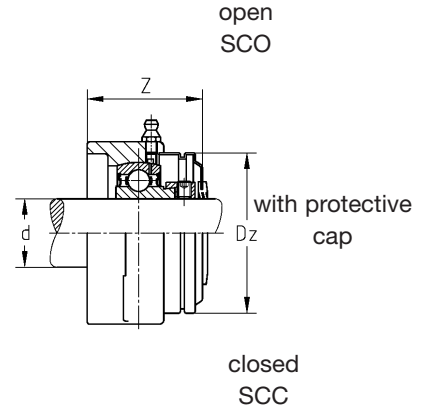
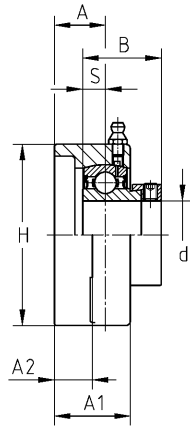
metric	inch
12 - 50 mm	3/4 - 1 15/16

Shaft diameter		Unit code	Dimensions [mm]											Insert	Housing	lbs	
d [mm]	d [inch]		L	J	H	B	A	A1	A2	S	T	N	Z _{max}				Dz
12		SUCFL201	112	90	60	31	15	25.5	12	12.7	33.3	12	37.8	46	SUC201	SFL204	1.15
15		SUCFL202	112	90	60	31	15	25.5	12	12.7	33.3	12	37.8	46	SUC202	SFL204	1.12
17		SUCFL203	112	90	60	31	15	25.5	12	12.7	33.3	12	37.8	46	SUC203	SFL204	1.08
20		SUCFL204	112	90	60	31	15	25.5	12	12.7	33.3	12	37.8	54	SUC204	SFL204	1.04
	3/4	SUCFL204-12	112	90	60	31	15	25.5	12	12.7	33.3	12	37.8	54	SUC204-12	SFL204	1.04
25		SUCFL205	125	99	68	34.1	16	27	13	14.3	35.8	16	39.9	60	SUC205	SFL205	1.32
	1	SUCFL205-16	125	99	68	34.1	16	27	13	14.3	35.8	16	39.9	60	SUC205-16	SFL205	1.32
30		SUCFL206	141	117	80	38.1	18	31	13	15.9	40.2	16	44.4	70	SUC206	SFL206	1.96
	1 3/16	SUCFL206-19	141	117	80	38.1	18	31	13	15.9	40.2	16	44.4	70	SUC206-19	SFL206	1.96
	1 1/4	SUCFL206-20	141	117	80	38.1	18	31	13	15.9	40.2	16	44.4	70	SUC206-20	SFL206	1.95
35		SUCFL207	156	130	90	42.9	19	33	15	17.5	44.4	16	47.7	80	SUC207	SFL207	2.60
	1 3/8	SUCFL207-22	156	130	90	42.9	19	33	15	17.5	44.4	16	47.7	80	SUC207-22	SFL207	2.60
	1 7/16	SUCFL207-23	156	130	90	42.9	19	33	15	17.5	44.4	16	47.7	80	SUC207-23	SFL207	2.60
40		SUCFL208	172	144	100	49.2	21	36	15	19	51.2	16	54.4	88	SUC208	SFL208	3.37
	1 1/2	SUCFL208-24	172	144	100	49.2	21	36	15	19	51.2	16	54.4	88	SUC208-24	SFL208	3.37
45		SUCFL209	180	148	108	49.2	22	38	15	19	52.2	19	55.9	95	SUC209	SFL209	3.99
	1 3/4	SUCFL209-28	180	148	108	49.2	22	38	15	19	52.2	19	55.9	95	SUC209-28	SFL209	3.99
50		SUCFL210	190	157	115	51.6	22	39	16	19	54.6	19	59.8	100	SUC210	SFL210	4.78
	1 15/16	SUCFL210-31	190	157	115	51.6	22	39	16	19	54.6	19	59.8	100	SUC210-31	SFL210	4.78

**Two-bolt flanged housing
Bearing insert**



**SFL 200 with grease fitting
SES 200 with eccentric locking collar**



SESFL200

Shaft diameter

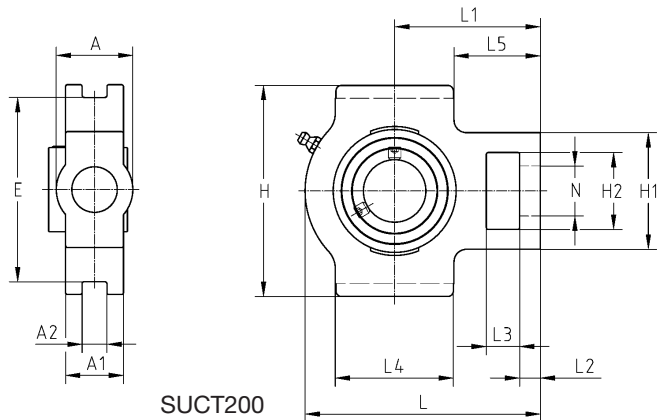
metric	inch
12 - 50 mm	3/4 - 1 15/16

Shaft diameter		Unit code	Dimensions [mm]											Insert	Housing	lbs	
d [mm]	d [inch]		L	J	H	B	A	A1	A2	S	T	N	Z _{max}				Dz
12		SESFL201	112	90	60	28.6	15	25.5	12	6	37.6	12	37.8	46	SES201	SFL204	0.99
15		SESFL202	112	90	60	28.6	15	25.5	12	6	37.6	12	37.8	46	SES202	SFL204	0.97
17		SESFL203	112	90	60	28.6	15	25.5	12	6	37.6	12	37.8	46	SES203	SFL204	0.93
20		SESFL204	112	90	60	31	15	25.5	12	7	39	12	37.8	54	SES204	SFL204	1.06
	3/4	SESFL204-12	112	90	60	31	15	25.5	12	7	39	12	37.8	54	SES204-12	SFL204	1.06
25		SESFL205	125	99	68	31	16	27	13	7,5	39.5	16	39.9	60	SES205	SFL205	1.32
	1	SESFL205-16	125	99	68	31	16	27	13	7,5	39.5	16	39.9	60	SES205-16	SFL205	1.32
30		SESFL206	141	117	80	35.7	18	31	13	8	45.7	16	44.4	70	SES206	SFL206	1.94
	1 3/16	SESFL206-19	141	117	80	35.7	18	31	13	8	45.7	16	44.4	70	SES206-19	SFL206	1.94
	1 1/4	SESFL206-20	141	117	80	35.7	18	31	13	8	45.7	16	44.4	70	SES206-20	SFL206	1.94
35		SESFL207	156	130	90	38.9	19	33	15	8,5	49.4	16	47.7	80	SES207	SFL207	2.67
	1 3/8	SESFL207-22	156	130	90	38.9	19	33	15	8,5	49.4	16	47.7	80	SES207-22	SFL207	2.67
	1 7/16	SESFL207-23	156	130	90	38.9	19	33	15	8,5	49.4	16	47.7	80	SES207-23	SFL207	2.67
40		SESFL208	172	144	100	43.7	21	36	15	9	55.7	16	54.4	88	SES208	SFL208	3.40
	1 1/2	SESFL208-24	172	144	100	43.7	21	36	15	9	55.7	16	54.4	88	SES208-24	SFL208	3.40
45		SESFL209	180	148	108	43.7	22	38	15	9,5	56.2	19	55.9	95	SES209	SFL209	3.95
	1 3/4	SESFL209-28	180	148	108	43.7	22	38	15	9,5	56.2	19	55.9	95	SES209-28	SFL209	3.95
50		SESFL210	190	157	115	43.7	22	39	16	10	55.7	19	59.8	100	SES210	SFL210	4.74
	1 15/16	SESFL210-31	190	157	115	43.7	22	39	16	10	55.7	19	59.8	100	SES210-31	SFL210	4.74

Take-up unit

Housing
Bearing insert

ST 200 with grease fitting
SUC 200 with set screws



Shaft diameter

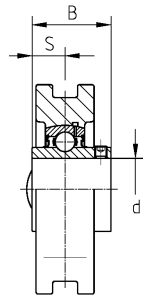
metric	inch
12 - 50 mm	3/4 - 1 15/16

Shaft diameter

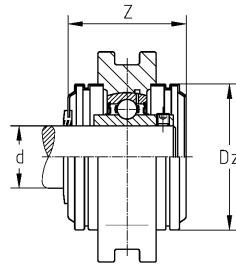
Unit code

Dimensions [mm]

d [mm]	d [inch]		L	H	A	B	A1	A2	E	S	L1	L2
12		SUCT201	94	89	32	31	21	12 ^{+0.2}	76 _{-0.5}	12.7	61	10
15		SUCT202	94	89	32	31	21	12 ^{+0.2}	76 _{-0.5}	12.7	61	10
17		SUCT203	94	89	32	31	21	12 ^{+0.2}	76 _{-0.5}	12.7	61	10
20		SUCT204	94	89	32	31	21	12 ^{+0.2}	76 _{-0.5}	12.7	61	10
	3/4	SUCT204-12	94	89	32	31	21	12 ^{+0.2}	76 _{-0.5}	12.7	61	10
25		SUCT205	97	89	32	34.1	24	12 ^{+0.2}	76 _{-0.5}	14.3	62	10
	1	SUCT205-16	97	89	32	34.1	24	12 ^{+0.2}	76 _{-0.5}	14.3	62	10
30		SUCT206	113	102	37	38.1	28	12 ^{+0.2}	89 _{-0.5}	15.9	70	10
	1 3/16	SUCT206-19	113	102	37	38.1	28	12 ^{+0.2}	89 _{-0.5}	15.9	70	10
	1 1/4	SUCT206-20	113	102	37	38.1	28	12 ^{+0.2}	89 _{-0.5}	15.9	70	10
35		SUCT207	129	102	37	42.9	30	12 ^{+0.2}	89 _{-0.5}	17.5	78	13
	1 3/8	SUCT207-22	129	102	37	42.9	30	12 ^{+0.2}	89 _{-0.5}	17.5	78	13
	1 7/16	SUCT207-23	129	102	37	42.9	30	12 ^{+0.2}	89 _{-0.5}	17.5	78	13
40		SUCT208	144	114	49	49.2	33	16 ^{+0.2}	102 _{-0.5}	19	88	16
	1 1/2	SUCT208-24	144	114	49	49.9	33	16 ^{+0.2}	102 _{-0.5}	19	88	16
45		SUCT209	144	117	49	49.2	35	16 ^{+0.2}	102 _{-0.5}	19	87	16
	1 3/4	SUCT209-28	144	117	49	49.2	35	16 ^{+0.2}	102 _{-0.5}	19	87	16
50		SUCT210	149	117	49	51.6	37	16 ^{+0.2}	102 _{-0.5}	19	90	16
	1 15/16	SUCT210-31	149	117	49	51.6	37	16 ^{+0.2}	102 _{-0.5}	19	90	16



SUCT200



open
SCO

closed
SCC

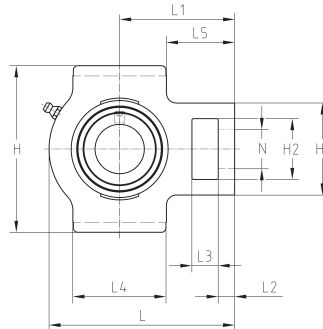
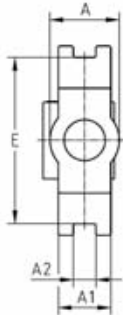
with protective cap

								Insert	Housing	lbs
L3	L4	L5	N	H1	H2	Z _{max.}	Dz			
16	51	35.5	19	51	32	45.6	54	SUC201	ST204	1.85
16	51	35.5	19	51	32	45.6	54	SUC202	ST204	1.83
16	51	35.5	19	51	32	45.6	54	SUC203	ST204	1.79
16	51	35.5	19	51	32	45.6	54	SUC204	ST204	1.74
16	51	35.5	19	51	32	45.6	54	SUC204-12	ST204	1.74
16	51	36.5	19	51	32	47.8	60	SUC205	ST205	1.94
16	51	36.5	19	51	32	47.8	60	SUC205-16	ST205	1.94
16	57	41.5	22	56	37	52.8	70	SUC206	ST206	3.00
16	57	41.5	22	56	37	52.8	70	SUC206-19	ST206	3.00
16	57	41.5	22	56	37	52.8	70	SUC206-20	ST206	3.00
16	64	46	22	64	37	57.4	80	SUC207	ST207	3.79
16	64	46	22	64	37	57.4	80	SUC207-22	ST207	3.79
16	64	46	22	64	37	57.4	80	SUC207-23	ST207	3.79
19	83	46.5	29	83	49	66.8	88	SUC208	ST208	5.60
19	83	46.5	29	83	49	66.8	88	SUC208-24	ST208	5.60
19	83	45.5	29	83	49	67.8	95	SUC209	ST209	5.58
19	83	45.5	29	83	49	67.8	95	SUC209-28	ST209	5.58
19	86	47	29	83	49	75.6	100	SUC210	ST210	5.91
19	86	47	29	83	49	75.6	100	SUC210-31	ST210	5.91

Take-up units

Housing
Bearing insert

ST 200 with grease fitting
SES 200 with eccentric locking collar



SEST200

Shaft diameter

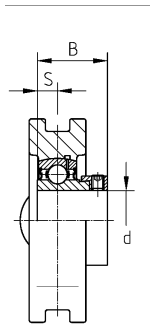
metric	inch
12 - 50 mm	3/4 - 1 15/16

Shaft diameter

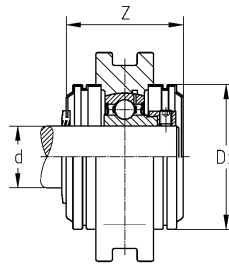
Unit code

Dimensions [mm]

d [mm]	d [inch]		L	H	A	B	A1	A2	E	S	L1	L2
12		SEST201	94	89	32	28.6	21	12 ^{+0.2}	76 _{-0.5}	6	61	10
15		SEST202	94	89	32	28.6	21	12 ^{+0.2}	76 _{-0.5}	6	61	10
17		SEST203	94	89	32	28.6	21	12 ^{+0.2}	76 _{-0.5}	6	61	10
20		SEST204	94	89	32	31	21	12 ^{+0.2}	76 _{-0.5}	7	61	10
	3/4	SEST204-12	94	89	32	31	21	12 ^{+0.2}	76 _{-0.5}	7	61	10
25		SEST205	97	89	32	31	24	12 ^{+0.2}	76 _{-0.5}	7.5	62	10
	1	SEST205-16	97	89	32	31	24	12 ^{+0.2}	76 _{-0.5}	7.5	62	10
30		SEST206	113	102	37	35.7	28	12 ^{+0.2}	89 _{-0.5}	8	70	10
	1 3/16	SEST206-19	113	102	37	35.7	28	12 ^{+0.2}	89 _{-0.5}	8	70	10
	1 1/4	SEST206-20	113	102	37	35.7	28	12 ^{+0.2}	89 _{-0.5}	8	70	10
35		SEST207	129	102	37	38.9	30	12 ^{+0.2}	89 _{-0.5}	8.5	78	13
	1 3/8	SEST207-22	129	102	37	38.9	30	12 ^{+0.2}	89 _{-0.5}	8.5	78	13
	1 7/16	SEST207-23	129	102	37	38.9	30	12 ^{+0.2}	89 _{-0.5}	8.5	78	13
40		SEST208	144	114	49	43.7	33	16 ^{+0.2}	102 _{-0.5}	9	88	16
	1 1/2	SEST208-24	144	114	49	43.7	33	16 ^{+0.2}	102 _{-0.5}	9	88	16
45		SEST209	144	117	49	43.7	35	16 ^{+0.2}	102 _{-0.5}	9.5	87	16
	1 3/4	SEST209-28	144	117	49	43.7	35	16 ^{+0.2}	102 _{-0.5}	9.5	87	16
50		SEST210	149	117	49	43.7	37	16 ^{+0.2}	102 _{-0.5}	10	90	16
	1 15/16	SEST210-31	149	117	49	43.7	37	16 ^{+0.2}	102 _{-0.5}	10	90	16



SEST200



open
SCO

closed
SCC

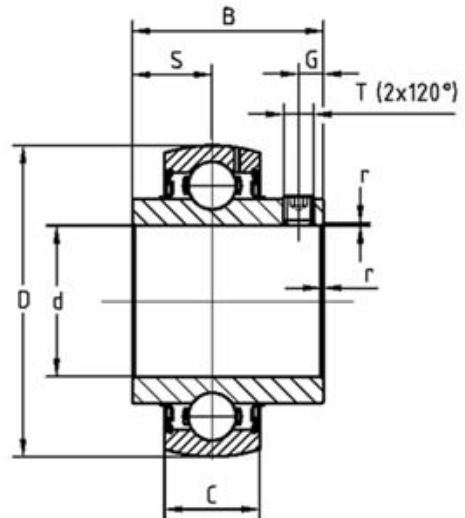
with protective cap

								Insert	Housing	lbs
L3	L4	L5	N	H1	H2	Z _{max}	Dz			
16	51	35.5	19	51	32	45.6	54	SES201	ST204	1.70
16	51	35.5	19	51	32	45.6	54	SES202	ST204	1.68
16	51	35.5	19	51	32	45.6	54	SES203	ST204	1.63
16	51	35.5	19	51	32	45.6	54	SES204	ST204	1.76
16	51	35.5	19	51	32	45.6	54	SES204-12	ST204	1.76
16	51	36.5	19	51	32	47.8	60	SES205	ST205	1.94
16	51	36.5	19	51	32	47.8	60	SES205-16	ST205	1.94
16	57	41.5	22	56	37	52.8	70	SES206	ST206	3.00
16	57	41.5	22	56	37	52.8	70	SES206-19	ST206	3.00
16	57	41.5	22	56	37	52.8	70	SES206-20	ST206	3.00
16	64	46	22	64	37	57.4	80	SES207	ST207	3.86
16	64	46	22	64	37	57.4	80	SES207-22	ST207	3.86
16	64	46	22	64	37	57.4	80	SES207-23	ST207	3.86
19	83	46.5	29	83	49	66.8	88	SES208	ST208	5.62
19	83	46.5	29	83	49	66.8	88	SES208-24	ST208	5.62
19	83	45.5	29	83	49	67.8	95	SES209	ST209	5.51
19	83	45.5	29	83	49	67.8	95	SES209-28	ST209	5.51
19	86	47	29	83	49	75.6	100	SES210	ST210	5.87
19	86	47	29	83	49	75.6	100	SES210-31	ST210	5.87



Bearing inserts with set screws - SUC200

Standard design with 2 set screws and lubrication holes in the outer ring



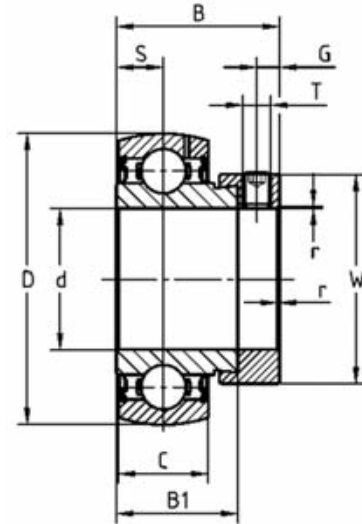
Shaft diameter

metric	inch
12 - 60 mm	3/4 - 2 7/16

Shaft diameter		Bearing code	Dimensions [mm]							Load rating [lbf]		lbs
d [mm]	d [inch]		D	B	S	r _{min}	C	T	G	C _r [dyn]	C _{or} [stat]	
12		SUC201	47	31	12.7	0.5	17	M6x1	5	2,270	1,530	0.46
15		SUC202	47	31	12.7	0.5	17	M6x1	5	2,270	1,530	0.42
17		SUC203	47	31	12.7	0.5	17	M6x1	5	2,270	1,530	0.40
20		SUC204	47	31	12.7	0.5	17	M6x1	5	2,270	1,530	0.35
	3/4	SUC204-12	47	31	12.7	0.5	17	M6x1	5	2,270	1,530	0.35
25		SUC205	52	34.1	14.3	0.5	17	M6x1	5	2,475	1,800	0.44
	1	SUC205-16	52	34.1	14.3	0.5	17	M6x1	5	2,475	1,800	0.44
30		SUC206	62	38.1	15.9	0.5	19	M6x1	5	3,440	2,585	0.71
	1 3/16	SUC206-19	62	38.1	15.9	0.5	19	M6x1	5	3,440	2,585	0.71
	1 1/4	SUC206-20	62	38.1	15.9	0.5	19	M6x1	5	3,440	2,585	0.71
35		SUC207	72	42.9	17.5	1	20	M8x1	6	4,520	3,505	1.04
	1 3/8	SUC207-22	72	42.9	17.5	1	20	M8x1	6	4,520	3,505	1.04
	1 7/16	SUC207-23	72	42.9	17.5	1	20	M8x1	6	4,520	3,505	1.04
40		SUC208	80	49.2	19	1	21	M8x1	8	5,125	4,090	1.39
	1 1/2	SUC208-24	80	49.2	19	1	21	M8x1	8	5,125	4,090	1.39
45		SUC209	85	49.2	19	1	22	M10x1.25	8	5,780	4,675	1.52
	1 3/4	SUC209-28	85	49.2	19	1	22	M10x1.25	8	5,780	4,675	1.52
50		SUC210	90	51.6	19	1	24	M10x1.25	10	6,185	5,330	1.70
	1 15/16	SUC210-31	90	51.6	19	1	24	M10x1.25	10	6,185	5,330	1.70
	2	SUC211-32	100	55.6	22.2	1	25	M10x1.25	10	7,645	5,735	2.34
55		SUC211	100	55.6	22.2	1	25	M10x1.25	10	7,645	5,735	2.34
	2 3/16	SUC211-35	100	55.6	22.2	1	25	M10x1.25	10	7,645	5,735	2.34
60		SUC212	110	65.1	25.4	1	27	M10x1.25	10	9,220	7,080	3.24
	2 7/16	SUC212-39	110	65.1	25.4	1	27	M10x1.25	10	9,220	7,080	3.24

Bearing inserts with eccentric locking collar - SES200

Standard design with eccentric locking collar and lubrication holes in the outer ring



Shaft diameter

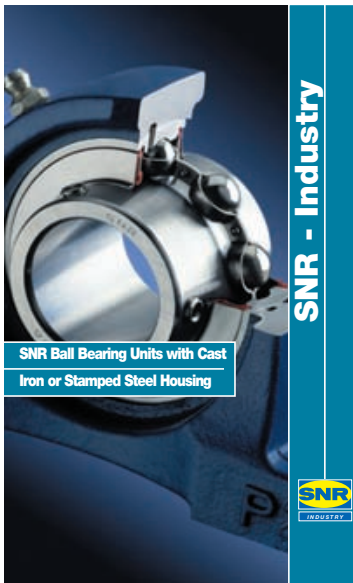
metric	inch
12 - 60 mm	3/4 - 2

Shaft diameter		Bearing code	Dimensions [mm]										Load rating [lbf]		lbs
d [mm]	d [inch]		D	B	S	r _{min}	C	T	G	B1	W	C _r [dyn]	C _{or} [stat]		
12		SES201	40	28.6	6	0.5	12	M6x1	5	19.1	28.6	1,755	1,010	0.31	
15		SES202	40	28.6	6	0.5	12	M6x1	5	19.1	28.6	1,755	1,010	0.26	
17		SES203	40	28.6	6	0.5	12	M6x1	5	19.1	28.6	1,755	1,010	0.24	
20		SES204	47	31	7	0.5	14	M6x1	5	21.5	33.3	2,270	1,530	0.37	
	3/4	SES204-12	47	31	7	0.5	14	M6x1	5	21.5	33.3	2,270	1,530	0.37	
25		SES205	52	31	7.5	0.5	15	M6x1	5	21.5	38.1	2,475	1,800	0.44	
	1	SES205-16	52	31	7.5	0.5	15	M6x1	5	21.5	38.1	2,475	1,800	0.44	
30		SES206	62	35.7	8	0.5	16	M8x1	6	23.8	44.5	3,440	2,585	0.71	
	1 3/16	SES206-19	62	35.7	8	0.5	16	M8x1	6	23.8	44.5	3,440	2,585	0.71	
	1 1/4	SES206-20	62	35.7	8	0.5	16	M8x1	6	23.8	44.5	3,440	2,585	0.71	
35		SES207	72	38.9	8.5	1	17	M8x1	6.5	25.4	55.6	4,520	3,505	1.12	
	1 3/8	SES207-20	72	38.9	8.5	1	17	M8x1	6.5	25.4	55.6	4,520	3,505	1.12	
	1 3/8	SES207-22	72	38.9	8.5	1	17	M8x1	6.5	25.4	55.6	4,520	3,505	1.12	
	1 7/16	SES207-23	72	38.9	8.5	1	17	M8x1	6.5	25.4	55.6	4,520	3,505	1.12	
40		SES208	80	43.7	9	1	18	M8x1	6.5	30.2	60.3	5,125	4,090	1.41	
	1 1/2	SES208-24	80	43.7	9	1	18	M8x1	6.5	30.2	60.3	5,125	4,090	1.41	
45		SES209	85	43.7	9.5	1	19	M8x1	6.5	30.2	63.5	5,780	4,675	1.48	
	1 3/4	SES209-28	85	43.7	9.5	1	19	M8x1	6.5	30.2	63.5	5,780	4,675	1.48	
50		SES210	90	43.7	10	1	20	M8x1	6.5	30.2	69.9	6,185	5,330	1.65	
	1 15/16	SES210-31	90	43.7	10	1	20	M8x1	6.5	30.2	69.9	6,185	5,330	1.65	
	2	SES211-32	100	48.4	10.5	1	21	M10x1.25	8	32.5	76.2	7,645	5,735	2.27	
55		SES211	100	48.4	10.5	1	21	M10x1.25	8	32.5	76.2	7,645	5,735	2.27	
60		SES212	110	53.1	11	1	22	M10x1.25	8	37.1	84.2	9,220	7,080	2.95	



SNR ball bearing unit range

SNR - Ball bearing units with cast iron or stamped steel housings



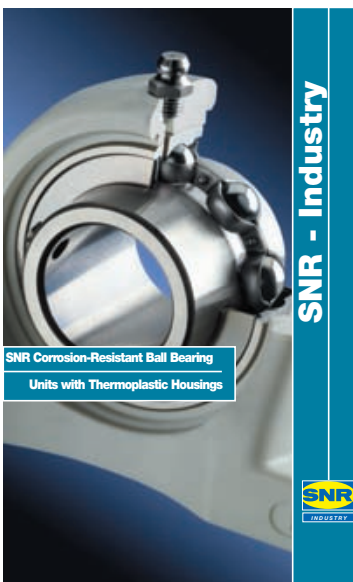
SNR Ball Bearing Units with Cast Iron or Stamped Steel Housing

The “SNR Ball Bearings Units” catalog contains the SNR standard range for ball bearings with housings made of cast iron and stamped steel. For many models there are various configurations available for the related shaft diameter. This variety of SNR ball bearings units provides the user with a suitable solution for almost every application.

The gray cast iron and stamped steel housings can be combined with numerous bearing inserts to obtain the optimum sleeve, eccentric locking collar, setscrew or floating bearing. The designer can thus find the best solution in the SNR standard range for ball bearing units.

To enhance shaft and bearing protection from contamination in harsh environments, it is possible to equip many SNR ball bearing units with protective caps made of stainless steel. These are available closed or open-ended with a double-lip seal.

SNR - Corrosion-resistant ball bearing units with thermoplastic housings



SNR Corrosion-Resistant Ball Bearing Units with Thermoplastic Housings

The ball bearing unit range in this catalog includes housings made of thermoplastic PBT and bearing inserts of stainless steel or chrome-steel.

The units can be equipped with protective end caps made of SR 50 (polypropylene), open with double-lip seal for through shafts or closed for shaft ends.

The bearing units are used primarily in the food and pharmaceutical industries with their high demands on hygiene and corrosion resistance of the materials used. For this reason all ball bearing units are lubricated with grease in accordance with the USDA H1 standard. Currently this standard places the most stringent requirements on the hygiene and purity of the materials used in the lubricant.



contacto
contatto
お問い合わせ
contacto
contacto
contact
contact
www.snr-contact.com
الاتصال ب
联系我们
Lian xi wǒ men
Kontakt
Kontakt

AUTOMOTIVE / AEROSPACE / INDUSTRY

