

TUBE TYPE SENSOR ABSOLUTE

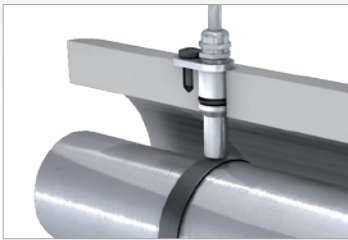
NTN **SNR**

www.ntn-snr.com



With You

product under development



GET POSITIONING SENSING FOR INDUSTRIAL APPLICATIONS

TRUE POWER ON

- Absolute at power on
- No back-up batteries

COMPACT & MODULAR

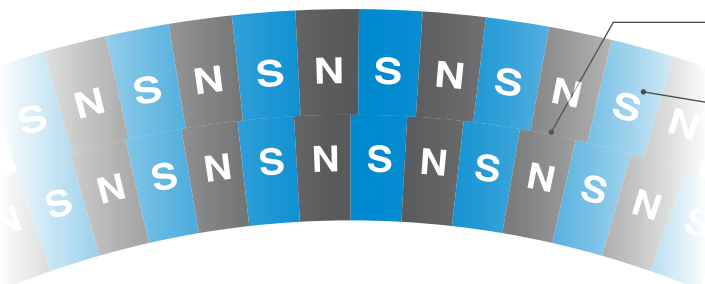
- Easy integration
- Easy maintenance

ROBUST

- Heavy and harsh environments
- Designed for industrial applications



ABSOLUTE POSITION AT TRUE POWER ON HOW DOES IT WORK?



Dual track reading:

N pole magnetic track

+

N+1 pole magnetic track

=

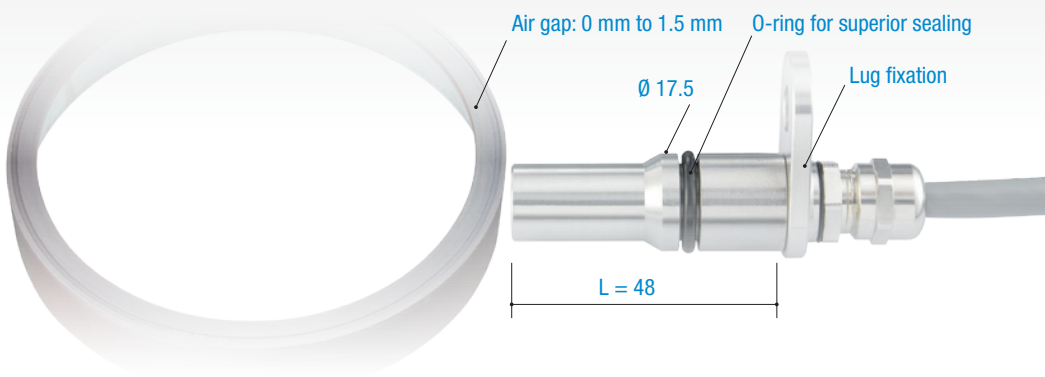
Recognizable magnetic offset between the two tracks

You get position information
at instant power on



CONFIGURATION

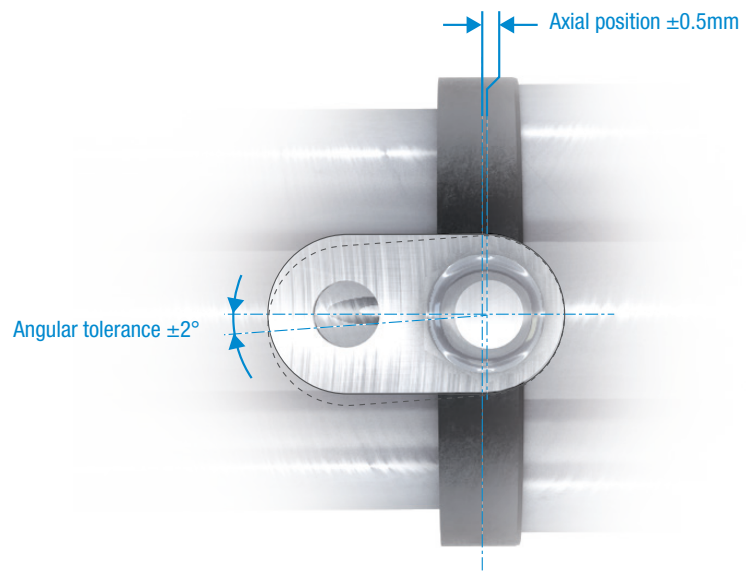
TTS	TYPE	DUAL TRACK RING	RESOLUTION	SIGNAL OUTPUT
	ABL	Ring 1, Ring 2	13 bit, 17 bit	SSI (10 wires), BiSS (10 wires), BiSS/SSI (10 wires) + ABZ (6 wires)



Version	Ring 1	Ring 2
Outer Ø (mm)	78.5	37.5
Shaft Ø (mm)	75	34
Inner Ø (mm)	68	28

SPECIFICATION

- Power supply: 5V
- Frequency: 200kHz max
- Accuracy down to +/- 0,1°
- Max data output delay : 14µs
- Permissible clock frequency : SSI/4MHz, BiSS/10MHz
- Programmable output (resolution, rotation direction, zero angle)
- Temperature from -40°C to 110°C



This document is the exclusive property of NTN-SNR ROULEMENTS. Any total or partial reproduction hereof without the prior consent of NTN-SNR ROULEMENTS is strictly prohibited. Legal action may be brought against anyone breaching the terms of this paragraph.

NTN-SNR ROULEMENTS shall not be held liable for any errors or omissions that may have crept into this document despite the care taken in drafting it. Due to our policy of continuous research and development, we reserve the right to make changes without notice to all or part of the products and specifications mentioned in this document.

© NTN-SNR ROULEMENTS, international copyright 2017.

NTN-SNR ROULEMENTS - 1 rue des usines - 74000 Annecy
RCS ANNECY B 325 821 072 - Code APE 2815Z - Code NACE 28.15
www.ntn-snr.com

Contact us:

mechatronics.industry@ntn-snr.fr

NTN SNR



With You

