

NTN-SNR SOLUTIONS

AGR: INSERT BEARINGS FOR CONVEYORS

QUARRIES, MINES & CEMENT PLANTS



www.ntn-snr.com



With You



AGR sealing system

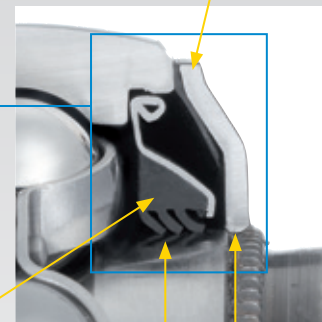
Triple lip L3
Excellent protection against pollution

For lifelong lubrication:

High-performance grease with fill factor of 90%:

- Good protection against wear
- Suitable for heavy loads

Zinc-plated shield equipped with a single lip seal to seal the contact with the outer ring (zinc-plated)



Crimped shield on inner ring (zinc-plated)



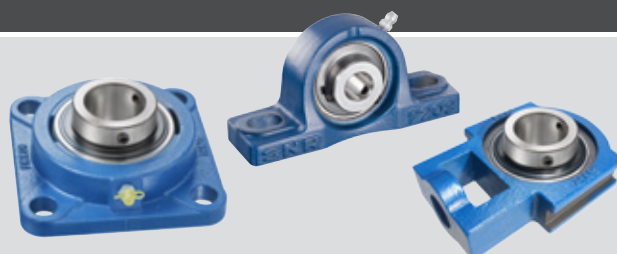
CREATED TO INCREASE PRODUCTIVITY, PERFORMANCE AND RELIABILITY IN HARSH ENVIRONMENTS

ALL-PURPOSE BEARING

Benefits

- Protection against splashes in very tough environments
- Sealing suitable for high-pressure cleaning
- Lifelong lubricated insert - no need to re-grease

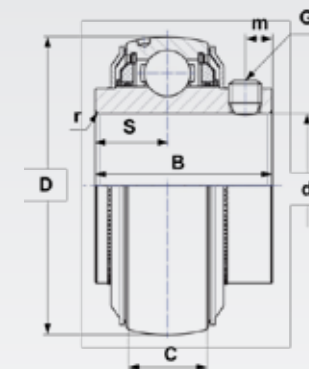
Compatible with all self-aligning cast iron ball bearings in the NTN-SNR range



AGR: INSERT BEARINGS FOR CONVEYORS

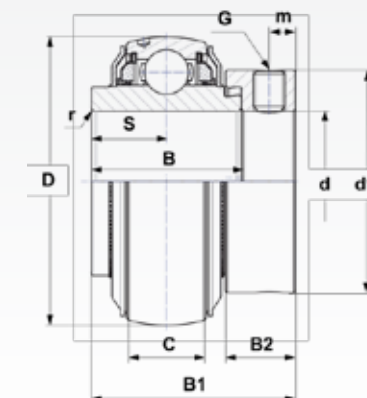
UC...AGR tightening by set screws (2 possible rotation directions)

Description	d mm	D mm	C mm	B mm	S mm	m mm	G	r mm	Load capacities		Weight kg
									Dyn. (Cr) kN	Stat. (Cor) kN	
UC207AGR	35	72	20	42,9	17,5	6,5	M8x1	1,1	25,7	15,2	0,5
UC208AGR	40	80	21	49,2	19	8	M8x1	1,1	29,6	18,2	0,63
UC209AGR	45	85	22	49,2	19	8	M8x1	1,1	31,85	20,8	0,73
UC210AGR	50	90	23	51,6	19	9	M8x1	1,1	35,1	23,2	0,8
UC211AGR	55	100	25	55,6	22,2	9	M8x1	1,5	43,55	29,2	1,1
UC212AGR	60	110	27	65,1	25,4	10,5	M10x1,25	1,5	52,5	32,8	1,37
UC308AGR	40	90	28	58	22,2	8,5	M10x1,25	2	40,56	24	1,1



EX...AGR Fixing to shaft using eccentric locking collar (1 rotation direction)

Description	d mm	D mm	C mm	B mm	B1 mm	S mm	d1 mm	m mm	B2 mm	G	r mm	Load capacities		Weight kg
												Dyn. (Cr) kN	Stat. (Cor) kN	
EX207AGR	35	72	20	37,6	51,1	18,8	55,6	6,5	17,5	M8x1	1,1	25,7	15,2	0,64
EX208AGR	40	80	21	42,8	56,3	21,4	58	6,5	18,3	M8x1	1,1	29,6	18,2	0,74
EX209AGR	45	85	22	42,8	56,3	21,4	63,5	6,5	18,3	M8x1	1,1	31,85	20,8	0,87
EX210AGR	50	90	23	49,2	62,7	24,6	66,9	6,5	18,3	M8x1	1,1	35,1	23,2	1,01
EX211AGR	55	100	25	55,4	71,3	27,7	76,2	8	20,7	M10x1,25	1,5	43,55	29,2	1,35
EX212AGR	60	110	27	61,8	77,7	30,9	82	8	22,3	M10x1,25	1,5	52,5	32,8	1,67
EX308AGR	40	90	28	49,5	65,3	22,2	63,5	8	20,6	M10x1,25	2	40,65	24	1,28



This document is the exclusive property of NTN-SNR ROULEMENTS. Any total or partial reproduction hereof without the prior consent of NTN-SNR ROULEMENTS is strictly prohibited. Legal action may be brought against anyone breaching the terms of this paragraph. NTN-SNR ROULEMENTS shall not be held liable for any errors or omissions that may have crept into this document despite the care taken in drafting it. Due to our policy of continuous research and development, we reserve the right to make changes without notice to all or part of the products and specifications mentioned in this document.
© NTN-SNR ROULEMENTS, international copyright 2017.

NTN-SNR ROULEMENTS - 1 rue des Usines - 74000 Annecy
RCS ANNECY B 325 821 072 - Code APE 2815Z - Code NACE 28.15
www.ntn-snr.com

NTN 



With You