



# AGR SEALING: DESIGNED TO WITHSTAND THE MOST POLLUTED ENVIRONMENTS

## ALL-PURPOSE BEARING

### BENEFITS

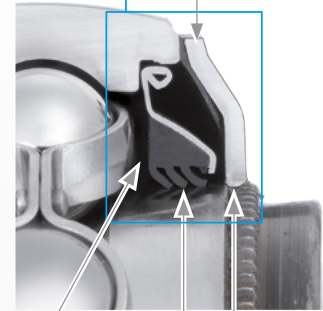
- Protection against splashes in very tough environments
- Sealing suitable for high-pressure cleaning
- Lifelong lubricated insert - no need to re-grease

**AGR  
sealing system**



**GREASED  
FOR LIFE**

**Zinc-plated shield:**  
Equipped with a single lip seal to seal the contact with the outer ring (zinc-plated)



**For lifelong lubrication:**

High-performance grease with fill factor of 90%:

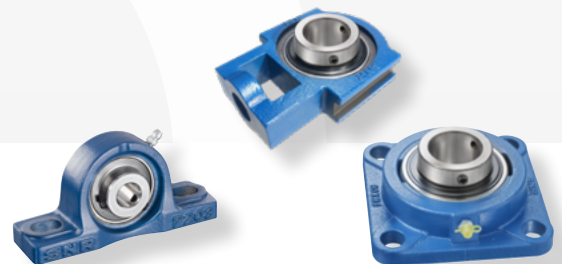
- Good protection against wear
- Suitable for heavy loads

**Crimped shield:**  
On inner ring (zinc-plated)

**Triple lip L3:**  
Excellent protection against pollution



Created to increase productivity,  
performance and reliability in  
harsh environments



Bearing inserts from the AGR series cannot be combined with all housings due to the reinforced seal. They have been designed for installation in SNR housings from the P, PE, F, FE, FL and FLE series, but can also be combined with housings from other series.

**For more information on the possible combinations, consult us.**



# INSERT BEARINGS WITH AGR SEAL

## UC...AGR Tightening by set screws (2 possible rotation directions)

Description	d	D	C	B	S	m	G	r	Load capacities		Weight
	mm	mm	mm	mm	mm	mm		mm	Dyn. (Cr)	Stat. (Cor)	
UC206AGR <sup>2</sup>	30	62	19	39	15,9	5	M6x1	0,6	19,5	11,2	0,31
UC207AGR	35	72	20	42,9	17,5	6,5	M8x1	1,1	25,7	15,2	0,5
UC208AGR	40	80	21	49,2	19	8	M8x1	1,1	29,6	18,2	0,63
UC209AGR	45	85	22	49,2	19	8	M8x1	1,1	31,85	20,8	0,73
UC210AGR	50	90	23	51,6	19	9	M8x1	1,1	35,1	23,2	0,8
UC211AGR	55	100	25	55,6	22,2	9	M8x1	1,5	43,55	29,2	1,1
UC212AGR	60	110	27	65,1	25,4	10,5	M10x1,25	1,5	52,5	32,8	1,37
UC215AGR <sup>1</sup>	75	130	30	77,8	33,3	12	M12x1,25	2	66	49,5	2,16
UC308AGR	40	90	28	58 <sup>2</sup>	22,2 <sup>2</sup>	8,5	M10x1,25	2	40,56	24	1,1
UC309AGR	45	100	30	57	22	9	M10x1,25	2	53	31,8	1,26
UC310AGR	50	110	32	70	26	13	M10x1,25	2	61,75	37,8	1,85

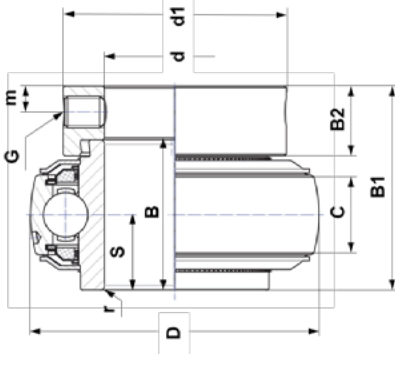
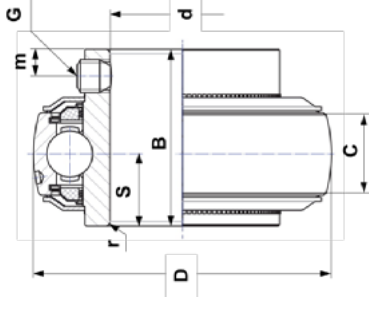
<sup>1</sup> On request (consult us)

<sup>2</sup> Width dimensions greater than the standard version

## EX...AGR Fixing to shaft using eccentric locking collar (1 rotation direction)

Description	d	D	C	B	B1	S	d1	m	B2	G	r	Load capacities		Weight
	mm	mm	mm	mm	mm	mm	mm	mm	mm		mm	Dyn. (Cr)	Stat. (Cor)	
EX207AGR	35	72	20	37,6	51,1	18,8	55,6	6,5	17,5	M8x1	1,1	25,7	15,2	0,64
EX208AGR	40	80	21	42,8	56,3	21,4	60,3	6,5	18,3	M8x1	1,1	29,6	18,2	0,74
EX209AGR	45	85	22	42,8	56,3	21,4	63,5	6,5	18,3	M8x1	1,1	31,85	20,8	0,87
EX210AGR	50	90	23	49,2	62,7	24,6	69,9	6,5	18,3	M8x1	1,1	35,1	23,2	1,01
EX211AGR	55	100	25	55,4	71,3	27,7	76,2	8	20,7	M10x1,25	1,5	43,55	29,2	1,35
EX212AGR	60	110	27	61,8	77,7	30,9	84,2	8	22,3	M10x1,25	1,5	52,5	32,8	1,67
EX308AGR	40	90	28	49,5 <sup>1</sup>	65,3 <sup>1</sup>	22,2 <sup>1</sup>	63,5	8	20,6	M10x1,25	2	40,65	24	1,28

<sup>1</sup> Width dimensions greater than the standard version



This document is the exclusive property of NTN Europe. Any total or partial reproduction hereof without the prior consent of NTN Europe is strictly prohibited. Legal action may be brought against anyone breaching the terms of this paragraph. NTN Europe shall not be held liable for any errors or omissions that may have crept into this document despite the care taken in drafting it. Due to our policy of continuous research and development, we reserve the right to make changes without notice to all or part of the products and specifications mentioned in this document. © NTN Europe, international copyright 2025.

NTN Europe - 1 rue des Usines - 74000 Annecy  
RCS ANNECY B 325 821 072 - Code APE 2815Z - Code NAEE 28.15  
[www.ntn-europe.com](http://www.ntn-europe.com)

